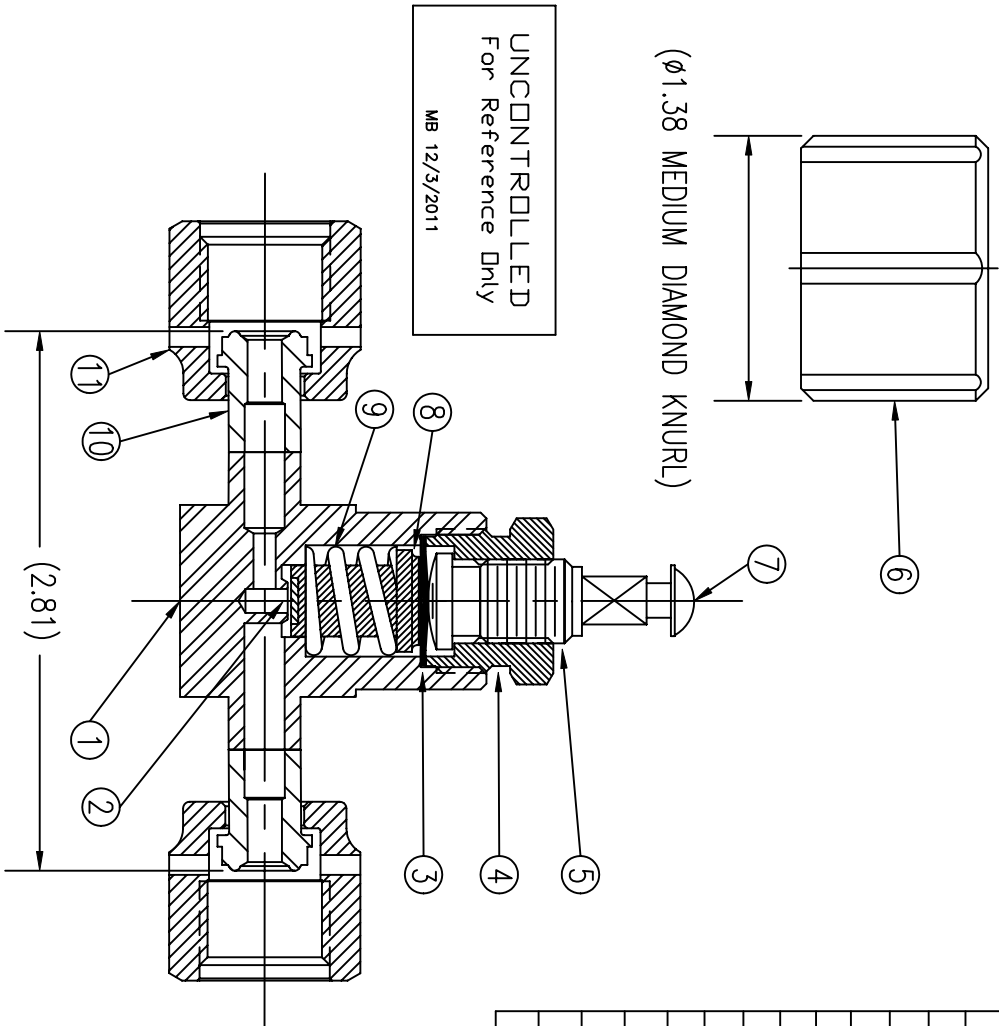


ITEM	PART NAME	MATERIAL	QTY
1	BODY	316L SST BAR STOCK	1
2	SEAT INSERT	PCTFE (KEL-F)	1
3	DIAPHRAGM ASSY.	CONSISTS OF:	1
3A		COPPER	2
3B		316L SST	2
3C		ELGILOY	1
4	BONNET	303 SST	1
5	UPPER STEM	416 SST	1
6	HANDLE	BLUE ALUMINUM 6061	1
7	SCREW W/ WASHER	18-8 SST	1
8	LOWER STEM	316L SST	1
9	SPRING	316L SST	1
10	GLAND	316L SST	2
11	FEMALE NUT	316L SST	2



- NOTES:
1. DIMENSIONS ARE IN INCHES.
 2. USE REPAIR KIT P/N RK-77102-ELG.
 3. HANDLE SHOWN DISASSEMBLED FROM VALVE FOR CLARITY.

SPECIFICATIONS:

PRESSURE RATING: 3000 PSI

FLOW COEFFICIENT $C_v=0.26$

SEAT ORIFICE SIZE: $\phi.125$

SEAT MATERIAL: PCTFE (KEL-F)

TEMPERATURE LIMITS: -65°F TO 150°F

MAX. ALLOWABLE SEAT AND INBOARD LEAKAGE:
 2×10^{-8} ATM CC/SEC He

WETTED SURFACES: 316L SST, ELGILOY, PCTFE

GasFlo Products Inc.
Fairfield, N.J.

SALES DRAWING- 1/4 FFS x 1/4 FFS
 SPRING TYPE VALVE W/ ELGILOY DIAPHRAGM

THIS DOCUMENT CONTAINS INFORMATION THAT IS THE PROPRIETARY AND CONFIDENTIAL PROPERTY OF GASFLO PRODUCTS INC. AND MAY BE USED ONLY FOR AUTHORIZED PURPOSES. THIS DOCUMENT MAY NOT BE REPRODUCED WITHOUT GASFLO PRODUCTS INC. PRIOR WRITTEN CONSENT

MAT'L: SEE BOM
 DWN: MB
 APPVD: DATE: 12/3/11

SCALE: NONE
 DATE: 12/3/11
 DWG: SALES-VLV-ST-44SS-FSFSFS-MH