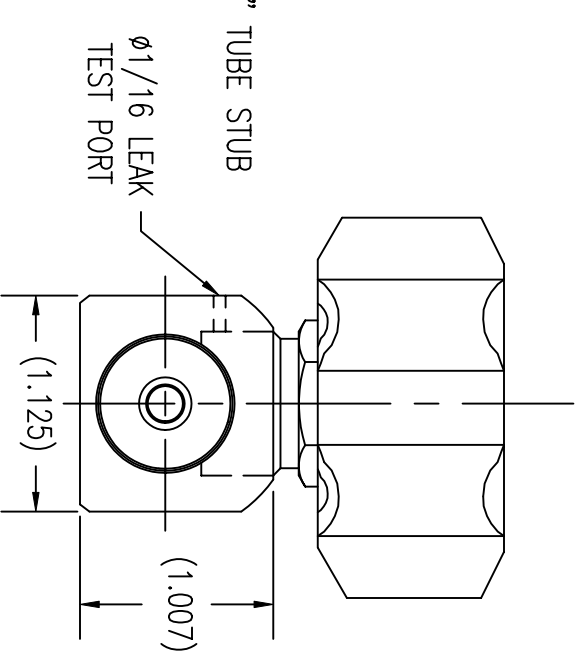


| ITEM | PART NAME | MATERIAL | QTY |
|------|-----------------|-------------------|-----|
| 1 | BODY | 316L SST | 1 |
| 2 | SEAT INSERT | PCTFE | 1 |
| 3 | DIAPHRAGM ASSY. | 316L SST/COPPER | 1 |
| 4 | BONNET | 303 SST | 1 |
| 5 | STEM | 416 SST | 1 |
| 6 | HANDLE | BLACK ABS PLASTIC | 1 |
| 7 | WASHER | 18-8 SST | 1 |
| 8 | SCREW | 18-8 SST | 1 |
| 9 | LABEL | VINYL/MYLAR | 1 |



UNCONTROLLED
For Reference Only
MB 1/25/2010

SPECIFICATIONS:
 ID SURFACE FINISH: 20 Ra
 PRESSURE RATING: 3500 PSI
 FLOW COEFFICIENT Cv = .14
 SEAT ORIFICE SIZE: .125 Ø
 SEAT MATERIAL: PCTFE
 TEMPERATURE LIMITS:
 -65° F TO 150° F
 MAX. ALLOWABLE SEAT LEAKAGE:
 2 x 10-8 ATM CC/SEC He
 MAX. INBOARD LEAKAGE:
 2 x 10-8 ATM CC/SEC He
 WETTED SURFACES: PCTFE,
 316L SST.

GasFlo Products Inc.
Fairfield, N.J.

NOTES:
 1. DIMENSIONS ARE IN INCHES.

| | | |
|-----|---------------------------------|-----------|
| A | REDRAWN: ADDED DIMENSION (.440) | 1/25/2010 |
| REV | DESCRIPTION | DATE |

THIS DOCUMENT CONTAINS INFORMATION THAT IS THE PROPRIETARY AND CONFIDENTIAL PROPERTY OF GASFLO PRODUCTS INC. AND MAY BE USED ONLY FOR AUTHORIZED PURPOSES. THIS DOCUMENT MAY NOT BE REPRODUCED WITHOUT GASFLO PRODUCTS INC. PRIOR WRITTEN CONSENT

| | | | |
|--------|----|--------|----------|
| DWN: | MB | SCALE: | 1:1 |
| APPVD: | | DATE: | 12/15/04 |

SALES DRAWING-- 1/4" TUBE STUB x
 1/4" TUBE STUB PACKLESS BARSTOCK VALVE

REV. A