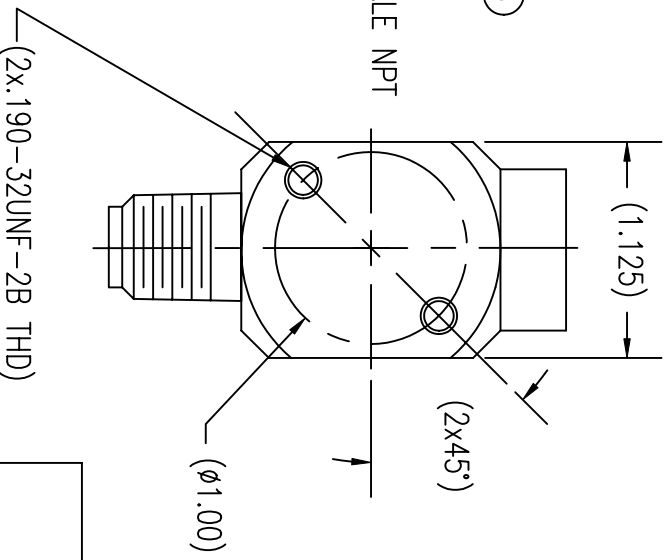
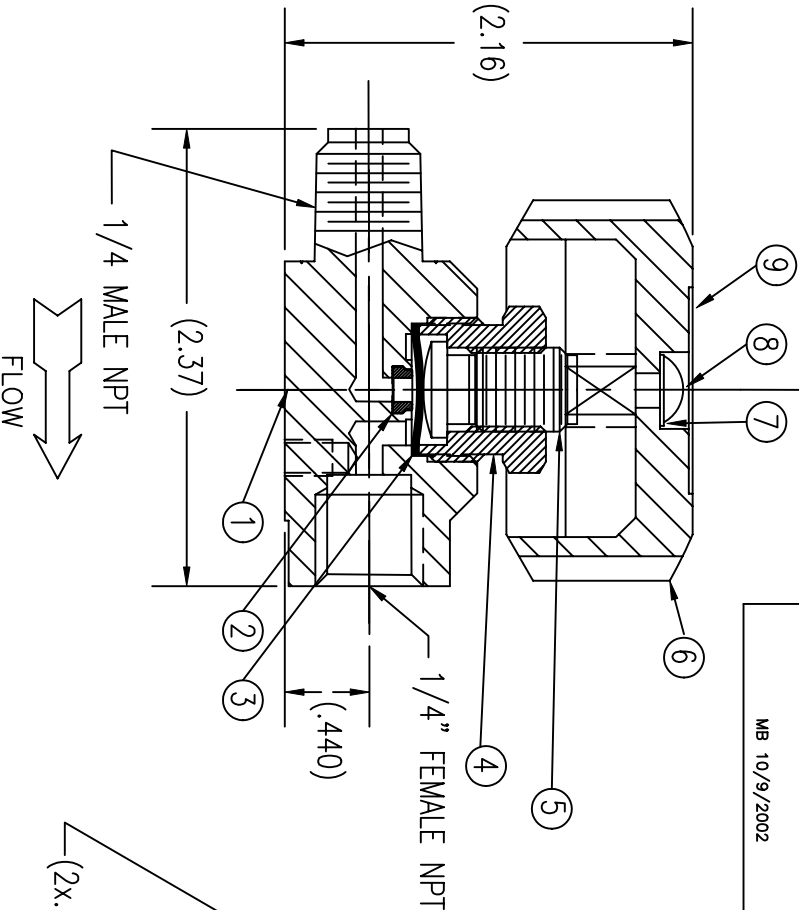


UNCONTROLLED
For Reference Only
MB 10/9/2002

ITEM	PART NAME	MATERIAL	QTY
1	BODY	316L SST	1
2	SEAT INSERT	PCTFE	1
3	DIAPHRAGM ASSY.	316L SST/COPPER	1
4	BONNET	303 SST	1
5	STEM	416 SST	1
6	HANDLE	BLACK ABS PLASTIC	1
7	WASHER	18-8 SST	1
8	SCREW	18-8 SST	1
9	LABEL	VINYL/MYLAR	1



SPECIFICATIONS:
 PRESSURE RATING: 3500 PSI
 FLOW COEFFICIENT $C_v = .13$
 SEAT ORIFICE SIZE: $.125 \phi$
 SEAT MATERIAL: PCTFE
 TEMPERATURE LIMITS:
 -65° F TO 150° F
 MAX. ALLOWABLE SEAT LEAKAGE:
 2 x 10-8 ATM CC/SEC He
 MAX. INBOARD LEAKAGE:
 2 x 10-8 ATM CC/SEC He
 WETTED SURFACES: PCTFE, 316L SST

GasFlo Products Inc.
Fairfield, N.J.

SALES DRAWING - 1/4M X 1/4F
 DIAPHRAGM PLS BARSTOCK VALVE

THIS DOCUMENT CONTAINS INFORMATION THAT IS THE PROPRIETARY AND CONFIDENTIAL PROPERTY OF GASFLO PRODUCTS INC. AND MAY BE USED ONLY FOR AUTHORIZED PURPOSES. THIS DOCUMENT MAY NOT BE REPRODUCED WITHOUT GASFLO PRODUCTS INC. PRIOR WRITTEN CONSENT

MAT'L: SEE BOM	SCALE: NTS
DWN: MB	DATE: 10/9/02
APP'VD:	

DWG: SALES-VLV-SL-44SS-MF
