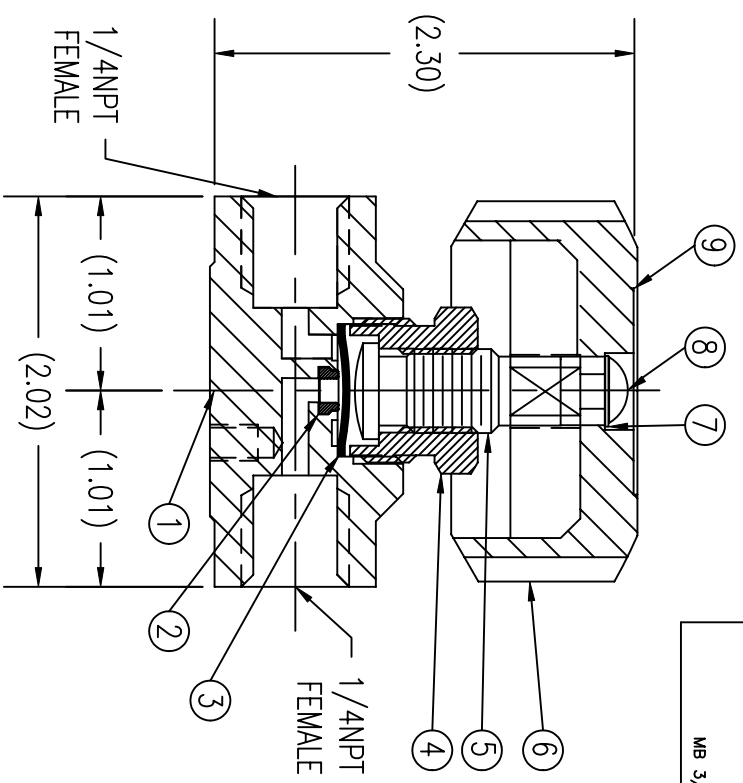
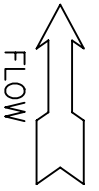


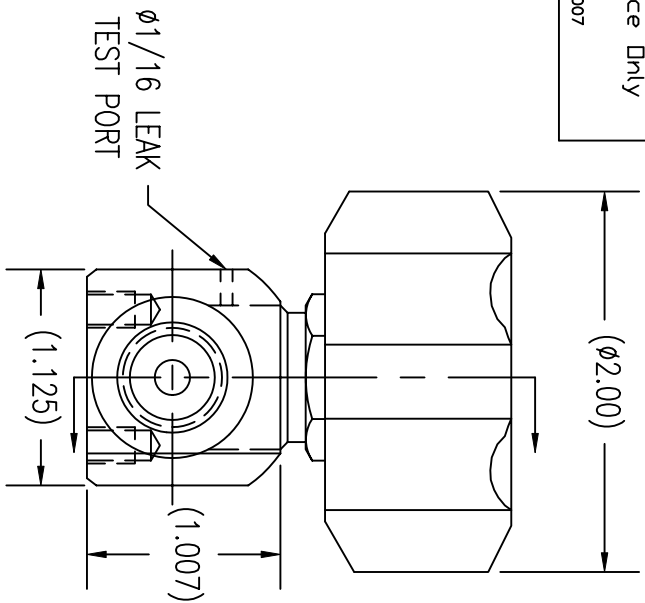
UNCONTROLLED  
For Reference Only  
MB 3/30/2007



NOTES:  
1. DIMENSIONS ARE IN INCHES.



ITEM	PART NAME	MATERIAL	QTY
1	BODY	316L SST	1
2	SEAT INSERT	PTFE	1
3	DIAPHRAGM ASSY.	316L SST/COPPER	1
4	BONNET	303 SST	1
5	STEM	416 SST	1
6	HANDLE	BLACK ABS PLASTIC	1
7	WASHER	18-8 SST	1
8	SCREW	18-8 SST	1
9	LABEL	VINYL/MYLAR	1



SPECIFICATIONS:  
 PRESSURE RATING: 3500 PSI  
 FLOW COEFFICIENT  $C_v = .13$   
 SEAT ORIFICE SIZE: .125  $\phi$   
 SEAT MATERIAL: PCTFE  
 TEMPERATURE LIMITS:  
 -65° F TO 150° F  
 MAX. ALLOWABLE SEAT LEAKAGE:  
 2 x 10-8 ATM CC/SEC He  
 MAX. INBOARD LEAKAGE:  
 2 x 10-8 ATM CC/SEC He  
 WETTED SURFACES: 316L SST,  
 PCTFE.

*GasFlo Products Inc.*  
 Fairfield, N.J.

SALES DRAWING

1/4 FNPT x 1/4 FNPT PACKLESS BARSTOCK VALVE

THIS DOCUMENT CONTAINS INFORMATION THAT IS THE PROPRIETARY AND CONFIDENTIAL PROPERTY OF GASFLO PRODUCTS INC. AND MAY BE USED ONLY FOR AUTHORIZED PURPOSES. THIS DOCUMENT MAY NOT BE REPRODUCED WITHOUT GASFLO PRODUCTS INC. PRIOR WRITTEN CONSENT

DWN	MB	SCALE: 1:1
APPVD		DATE 03/08/01

DWG	SALES-VLV-SL-44SS-FF
-----	----------------------