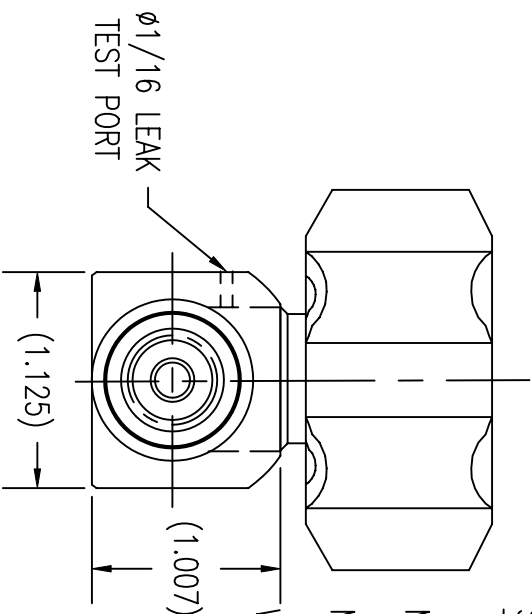


ITEM	PART NAME	MATERIAL	QTY
1	BODY	BRASS CDA-360	1
2	SEAT INSERT	PCTFE	1
3	DIAPHRAGM ASSY.	316L SST/COPPER	1
4	BONNET	BRASS CDA-360	1
5	STEM	416 SST	1
6	HANDLE	BLACK ABS PLASTIC	1
7	WASHER	18-8 SST	1
8	SCREW	18-8 SST	1
9	LABEL	VINYL/MYLAR	1



SPECIFICATIONS:
 PRESSURE RATING: 3500 PSI
 FLOW COEFFICIENT $C_v = .13$
 SEAT ORIFICE SIZE: .125 ϕ
 SEAT MATERIAL: PCTFE
 TEMPERATURE LIMITS:
 -65° F TO 150° F
 MAX. ALLOWABLE SEAT LEAKAGE:
 2 x 10-8 ATM CC/SEC He
 MAX. INBOARD LEAKAGE:
 2 x 10-8 ATM CC/SEC He
 WETTED SURFACES: BRASS CDA-360,
 316L SST, PCTFE.

GasFlo Products Inc.
 Fairfield, N.J.

SALES DRAWING- 1/4" x 1/4" MNPT
 PACKLESS BARSTOCK VALVE

NOTES:
 1. DIMENSIONS ARE IN INCHES.

THIS DOCUMENT CONTAINS INFORMATION THAT IS THE PROPRIETARY AND CONFIDENTIAL PROPERTY OF GASFLO PRODUCTS INC. AND MAY BE USED ONLY FOR AUTHORIZED PURPOSES. THIS DOCUMENT MAY NOT BE REPRODUCED WITHOUT GASFLO PRODUCTS INC. PRIOR WRITTEN CONSENT

DWN	MB	SCALE: 1:1
APPVD		DATE 12/14/00

DWG	SALES-VLV-SL-44BR-MM
-----	----------------------