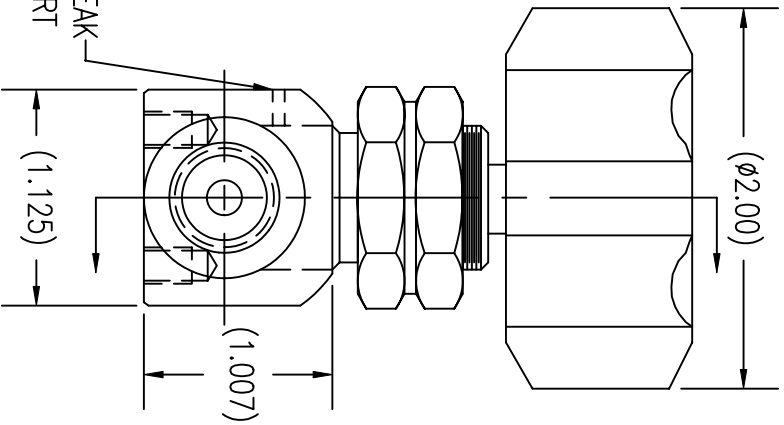
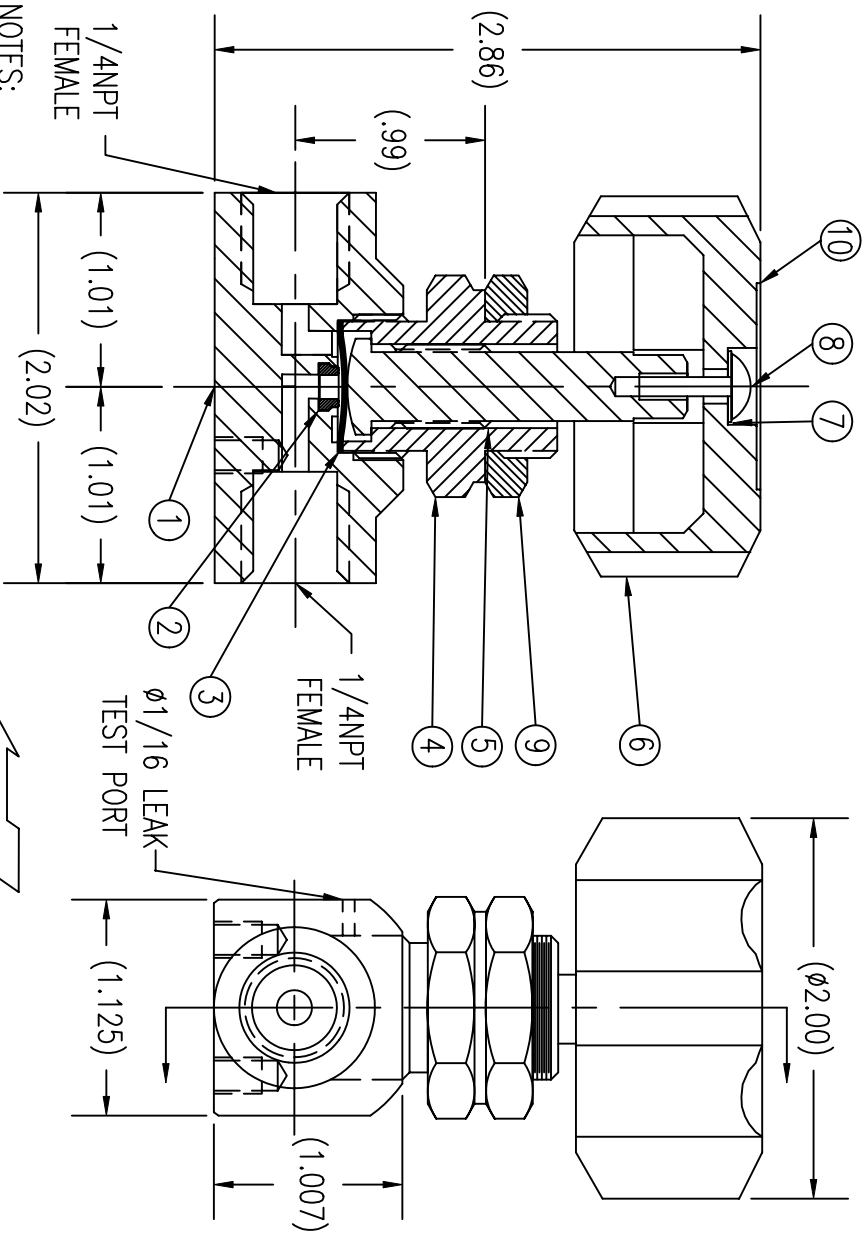


UNCONTROLLED  
For Reference Only  
MB 10/15/2009

| ITEM | PART NAME       | MATERIAL          | QTY |
|------|-----------------|-------------------|-----|
| 1    | BODY            | BRASS CDA-360     | 1   |
| 2    | SEAT INSERT     | PCTFE             | 1   |
| 3    | DIAPHRAGM ASSY. | 316L SST/COPPER   | 1   |
| 4    | BONNET          | 316L SST          | 1   |
| 5    | STEM            | 416 SST           | 1   |
| 6    | HANDLE          | BLACK ABS PLASTIC | 1   |
| 7    | WASHER          | 18-8 SST          | 1   |
| 8    | SCREW           | 18-8 SST          | 1   |
| 9    | PANEL NUT       | PLATED BRASS      | 1   |
| 10   | LABEL           | VINYL/MYLAR       | 1   |



SPECIFICATIONS:  
 PRESSURE RATING: 3500 PSI  
 FLOW COEFFICIENT  $C_v = .13$   
 SEAT ORIFICE SIZE: .125  $\phi$   
 SEAT MATERIAL: PCTFE  
 TEMPERATURE LIMITS:  
 -65° F TO 150° F  
 MAX. ALLOWABLE SEAT LEAKAGE:  
 2 x 10-8 ATM CC/SEC He  
 MAX. INBOARD LEAKAGE:  
 2 x 10-8 ATM CC/SEC He  
 WETTED SURFACES: 316L SST,  
 BRASS CDA-360, PCTFE.

*GasFlo Products Inc.*  
 Fairfield, N.J.

SALES DRAWING- PANEL MOUNT PACKLESS VALVE  
 BRASS BODY- 1/4 FNPT x 1/4 FNPT

NOTES:  
 1. DIMENSIONS ARE IN INCHES.

THIS DOCUMENT CONTAINS INFORMATION THAT IS THE PROPRIETARY AND CONFIDENTIAL PROPERTY OF GASFLO PRODUCTS INC. AND MAY BE USED ONLY FOR AUTHORIZED PURPOSES. THIS DOCUMENT MAY NOT BE REPRODUCED WITHOUT GASFLO PRODUCTS INC. PRIOR WRITTEN CONSENT

DWN: MB  
 SCALE: 1:1  
 APPVD: DATE: 2/1/02

DWG: SALES-VLV-SL-44BR-FF-PM