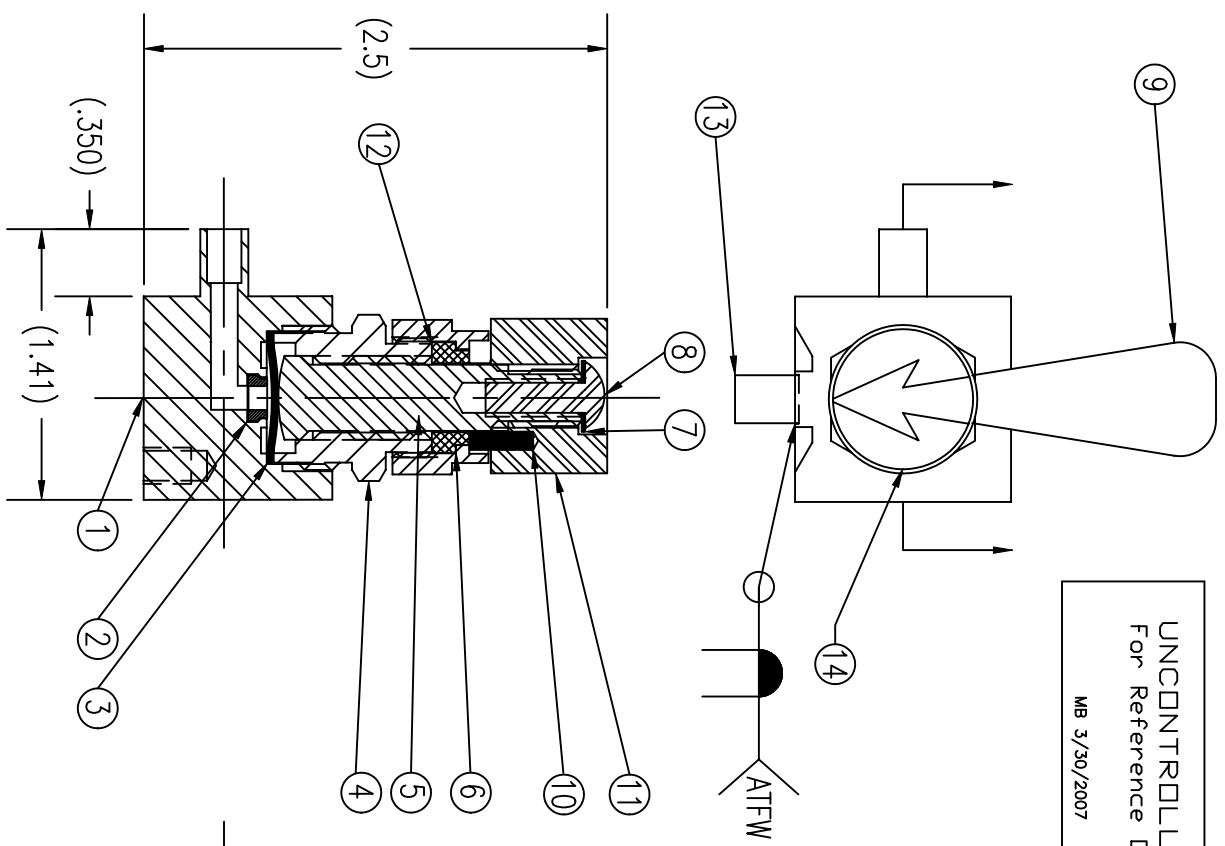
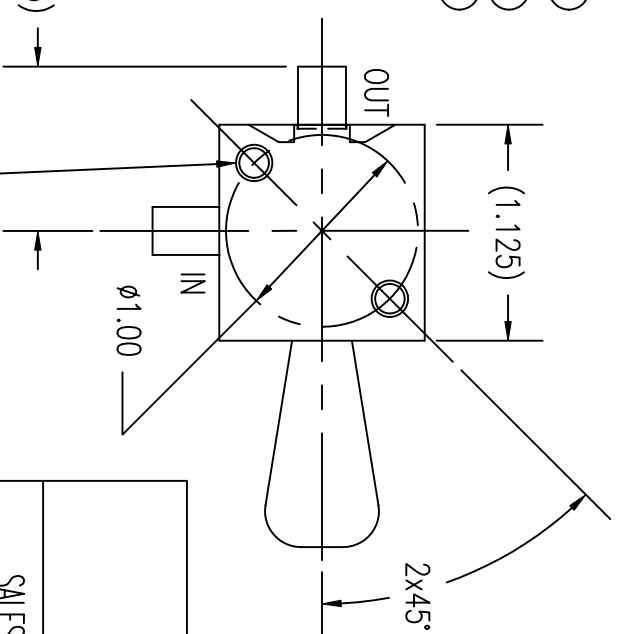


UNCONTROLLED
For Reference Only
MB 3/30/2007



ITEM	PART NAME	MATERIAL	QTY
1	BODY	316L SST	1
2	SEAT INSERT	PCTFE	1
3	DIAPHRAGM ASSY.	316L SST/COPPER	1
4	BONNET	303 SST	1
5	STEM	416 SST	1
6	POSITIONER LOCK NUT	CHROME PLATED BRASS CDA-360	1
7	LOCK WASHER	18-8 SST	1
8	SCREW	18-8 SST	1
9	HANDLE	ALUMINUM - NOTE 2	1
10	STOP PIN	ALLOY STEEL	1
11	COLLAR	ALUMINUM	1
12	POSITIONER GLAND	CHROME PLATED BRASS CDA-360	1
13	TUBE STUB	316L SST	1
14	LABEL	VINYL/MYLAR	1



SPECIFICATIONS:
 PRESSURE RATING: 3500 PSI
 FLOW COEFFICIENT $C_v = .13$
 SEAT ORIFICE SIZE: .125 ϕ
 SEAT MATERIAL: PCTFE
 TEMPERATURE LIMITS:
 -65° F TO 150° F
 MAX. ALLOWABLE SEAT LEAKAGE:
 2 x 10-8 ATM CC/SEC He
 MAX. INBOARD LEAKAGE:
 2 x 10-8 ATM CC/SEC He
 WETTED SURFACES: PCTFE,
 316L SST.

GasFlo Products Inc.
 Fairfield, N.J.

SALES DRAWING- 1/4" x 1/4" TUBE WELD
 RIGHT SIDE OUTLET

- NOTES:
 1. DIMENSIONS ARE IN INCHES.
 2. HANDLE TO BE CLEAR ANODIZED.

2x.190-32UNF-2B THREAD

THIS DOCUMENT CONTAINS INFORMATION THAT IS THE PROPRIETARY AND CONFIDENTIAL PROPERTY OF GASFLO PRODUCTS INC. AND MAY BE USED ONLY FOR AUTHORIZED PURPOSES. THIS DOCUMENT MAY NOT BE REPRODUCED WITHOUT GASFLO PRODUCTS INC. PRIOR WRITTEN CONSENT

DWN	MB	SCALE: 1:1
APPVD		DATE 12/21/01

DWG	SALES-VLV-QSL-44SS-TSXXTS	SC00790A
-----	---------------------------	----------