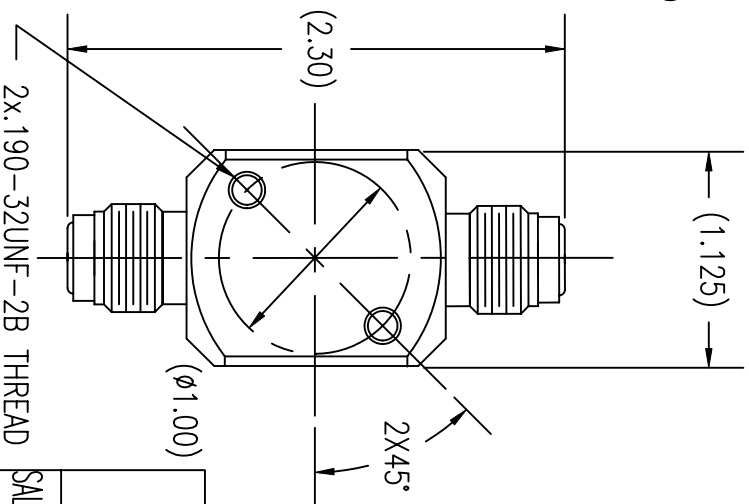


NOTES:

1. DIMENSIONS ARE IN INCHES.
2. HANDLE IS CLEAR ANODIZED.



ITEM	PART NAME	MATERIAL	QTY
1	BODY	316L SST	1
2	SEAT INSERT	PCTFE	1
3	DIAPHRAGM ASSY.	316L SST/COPPER	1
4	BONNET	303 SST	1
5	STEM	416 SST	1
6	POSITIONER LOCK NUT	CHROME PLATED BRASS CDA-360	1
7	WASHER	18-8 SST	1
8	SCREW	18-8 SST	1
9	HANDLE	ALUMINUM T-6061	1
10	STOP PIN	18-8 SST	1
11	COLLAR	ALUMINUM 2011 T-3	1
12	POSITIONER GLAND	CHROME PLATED BRASS CDA-360	1
13	LABEL	VINYL/MYLAR	1

SPECIFICATIONS:

PRESSURE RATING: 3500 PSI
 FLOW COEFFICIENT Cv = .13
 SEAT ORIFICE SIZE: .125 ϕ
 SEAT MATERIAL: PCTFE
 TEMPERATURE LIMITS:
 -65° F TO 150° F
 MAX. ALLOWABLE SEAT LEAKAGE:
 2 x 10⁻⁸ ATM CC/SEC He
 MAX. INBOARD LEAKAGE:
 2 x 10⁻⁸ ATM CC/SEC He
 WETTED SURFACES: PCTFE, 316L SST

GasFlo Products Inc.
 Fairfield, N.J.

SALES DWG- 1/4" MALE FACE SEAL x 1/4" MALE FACE SEAL
 QUARTER TURN REAR PANEL MOUNT PACKLESS BARSTOCK VALVE

THIS DOCUMENT CONTAINS INFORMATION THAT IS THE PROPRIETARY AND CONFIDENTIAL PROPERTY OF GASFLO PRODUCTS INC. AND MAY BE USED ONLY FOR AUTHORIZED PURPOSES. THIS DOCUMENT MAY NOT BE REPRODUCED WITHOUT GASFLO PRODUCTS INC. PRIOR WRITTEN CONSENT

DWN MB SCALE: 1:1
 APPVD DATE 11/10/03

DWG SALES-VLV-QSL-44SS-MFSMFS