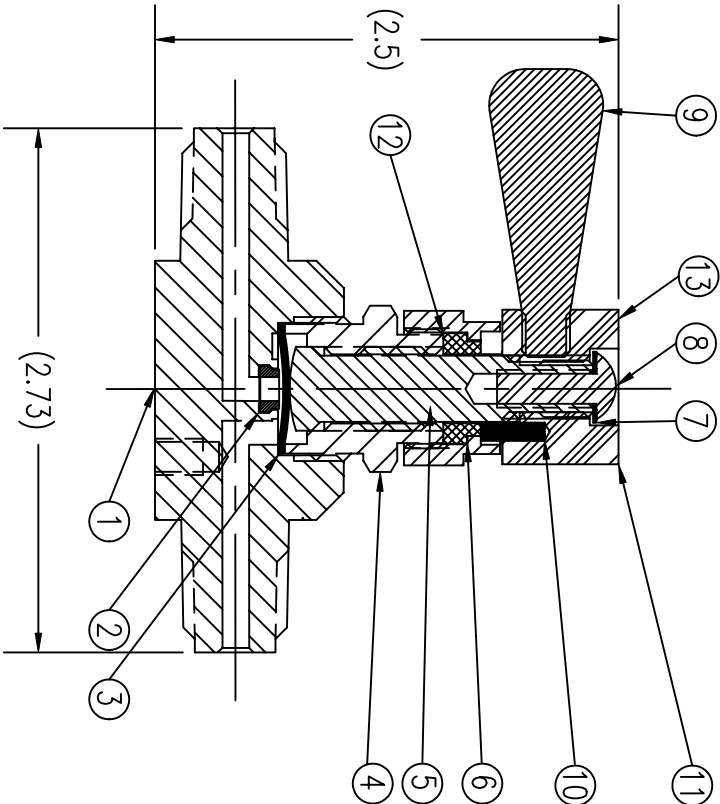
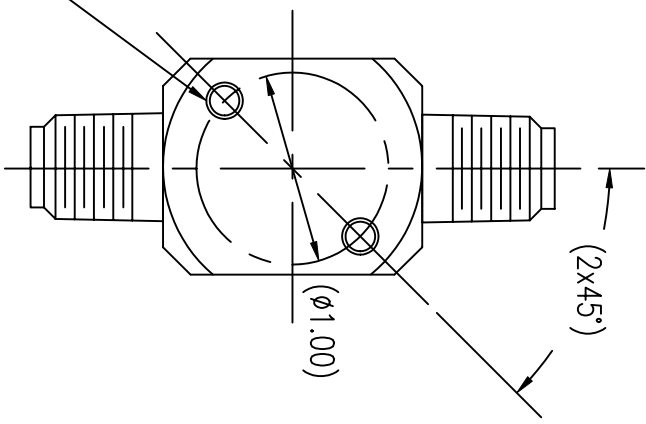


UNCONTROLLED
FOR REFERENCE
ONLY
MB 7/11/2007



ITEM	PART NAME	MATERIAL	QTY
1	BODY	BRASS CDA-360	1
2	SEAT INSERT	PCTFE	1
3	DIAPHRAGM ASSY.	316L SST/COPPER	1
4	BONNET	303 SST	1
5	STEM	416 SST	1
6	POSITIONER LOCK NUT	PLATED BRASS CDA-360	1
7	LOCK WASHER	18-8 SST	1
8	SCREW	18-8 SST	1
9	HANDLE	ALUMINUM-- NOTE 3	1
10	STOP PIN	ALLOY STEEL	1
11	COLLAR	ALUMINUM	1
12	POSITIONER GLAND	PLATED BRASS CDA-360	1
13	LABEL	VINYL/MYLAR	1



2x .190-32UNF-2B THREAD

NOTES:

1. DIMENSIONS ARE IN INCHES.
2. HANDLE SHOWN IN OPEN POSITION.
3. HANDLE IS CLEAR ANODIZED.

THIS DOCUMENT CONTAINS INFORMATION THAT IS THE PROPRIETARY AND CONFIDENTIAL PROPERTY OF GASFLIO PRODUCTS INC. AND MAY BE USED ONLY FOR AUTHORIZED PURPOSES. THIS DOCUMENT MAY NOT BE REPRODUCED WITHOUT GASFLIO PRODUCTS INC. PRIOR WRITTEN CONSENT

DWN	MB	SCALE: 1:1
APPVD		DATE 10/22/01

GasFlIo Products Inc.
Fairfield, N.J.

SALES DRAWING- 1/4" x 1/4" MNPT
QUARTER TURN PACKLESS BARSTOCK VALVE

DWG SALES-VLV-QSL-44BR-MM

SPECIFICATIONS:
 PRESSURE RATING: 3500 PSI
 FLOW COEFFICIENT Cv = .13
 SEAT ORIFICE SIZE: .125 φ
 SEAT MATERIAL: PCTFE
 TEMPERATURE LIMITS:
 -65° F TO 150° F
 MAX. ALLOWABLE SEAT LEAKAGE:
 2 x 10-8 ATM CC/SEC He
 MAX. INBOARD LEAKAGE:
 2 x 10-8 ATM CC/SEC He
 WETTED SURFACES: PCTFE,
 316L SST, BRASS CDA-360.