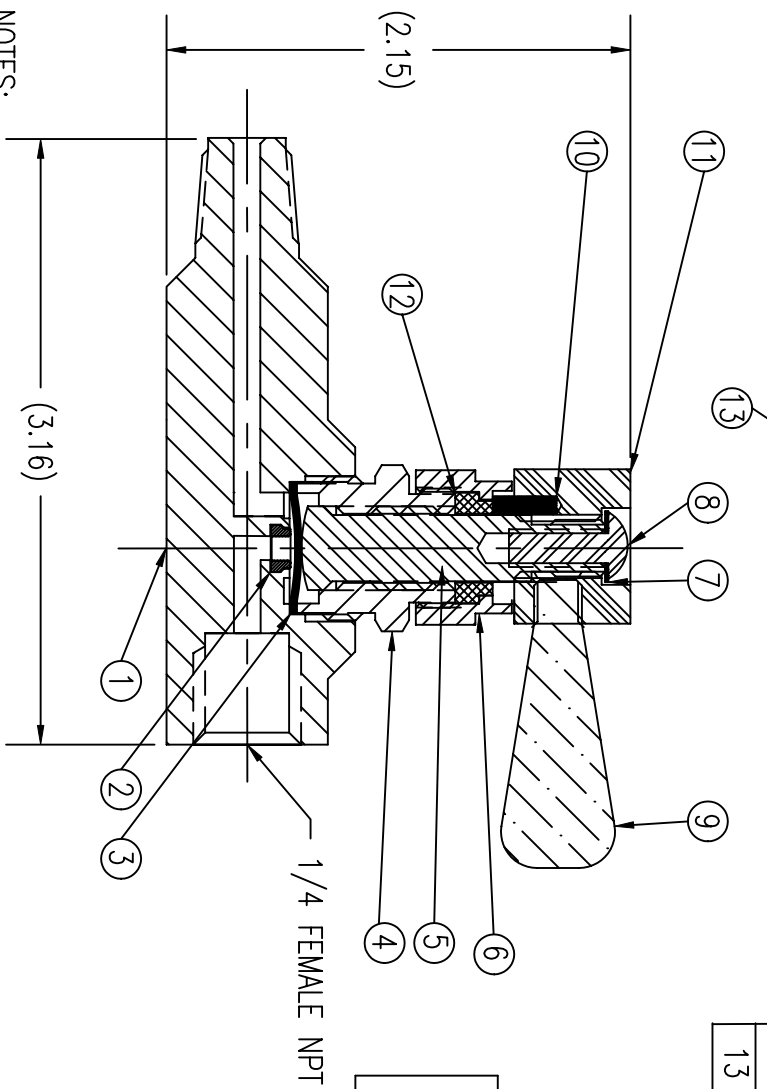
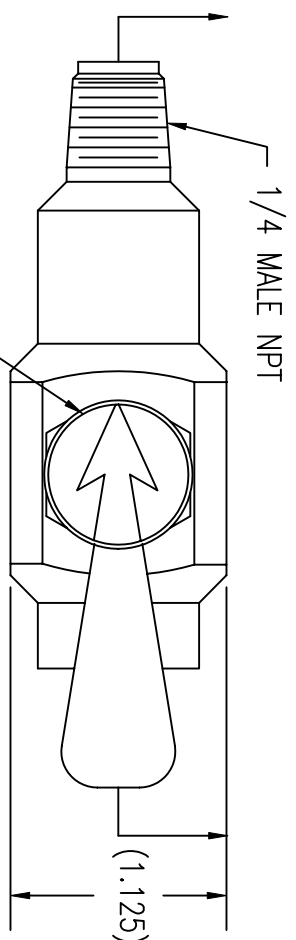
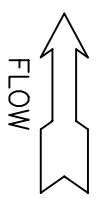


LETTER	REVISIONS	DATE
A	DELETED INBOARD LEAK SPECIFICATION AND SEAT LEAK SPECIFICATION, REPLACED WITH MAX. ALLOWABLE LEAKAGE SPECIFICATION.	5/19/2004



ITEM	PART NAME	MATERIAL	QTY
1	BODY	PLATED BRASS CDA-360	1
2	SEAT INSERT	PCTFE	1
3	DIAPHRAGM ASSY.	316L SST/COPPER	1
4	BONNET	303 SST	1
5	STEM	416 SST	1
6	POSITIONER LOCK NUT	PLATED BRASS CDA-360	1
7	WASHER	18-8 SST	1
8	SCREW	18-8 SST	1
9	HANDLE	ALUMINUM - CLEAR ANODIZED	1
10	STOP PIN	18-8 SST	1
11	COLLAR	ALUMINUM 2011 T-3	1
12	POSITIONER GLAND	PLATED BRASS CDA-360	1
13	LABEL	VINYL/MYLAR	1



UNCONTROLLED
For Reference Only
MB 3/30/2007

SPECIFICATIONS:
 PRESSURE RATING: 3500 PSI
 FLOW COEFFICIENT Cv = .13
 SEAT ORFICE SIZE: .125 Ø
 SEAT MATERIAL: PCTFE
 TEMPERATURE LIMITS:
 -65° F TO 150° F
 MAX. ALLOWABLE LEAKAGE: ⓐ
 2 x 10-8 ATM CC/SEC He
 WETTED SURFACES: PCTFE,
 316L SST, BRASS CDA-360

GasFlo Products Inc.
 Fairfield, N.J.

NOTES:

1. HANDLE SHOWN IN OPEN POSITION.

THIS DOCUMENT CONTAINS INFORMATION THAT IS THE PROPRIETARY AND CONFIDENTIAL PROPERTY OF GASFLO PRODUCTS INC. AND MAY BE USED ONLY FOR AUTHORIZED PURPOSES. THIS DOCUMENT MAY NOT BE REPRODUCED WITHOUT GASFLO PRODUCTS INC. PRIOR WRITTEN CONSENT

DWN	MB	SCALE: NTS
APPVD		DATE 4/11/03

DWG	SALES-VIV-QLL-R44CH-MF	REV. A
CLEAR HANDLE 1/4 MALE NPT x 1/4 FEMALE NPT PACKLESS BARSTOCK VALVE		
SALES DRAWING- QUARTER TURN REVERSE FLOW PLATED BRASS		