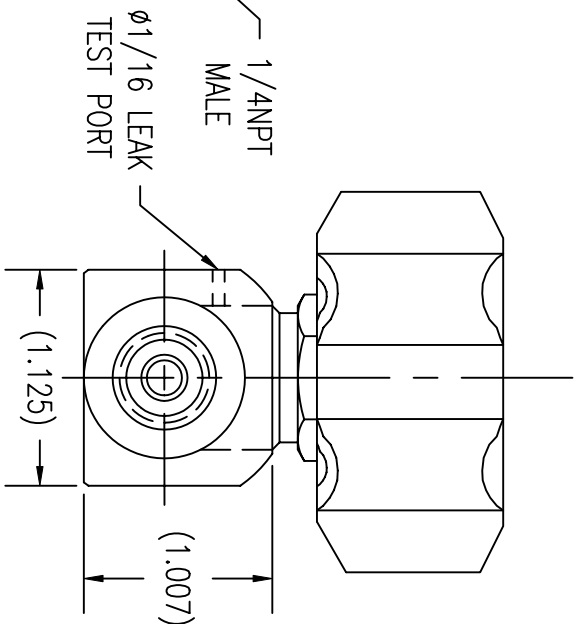
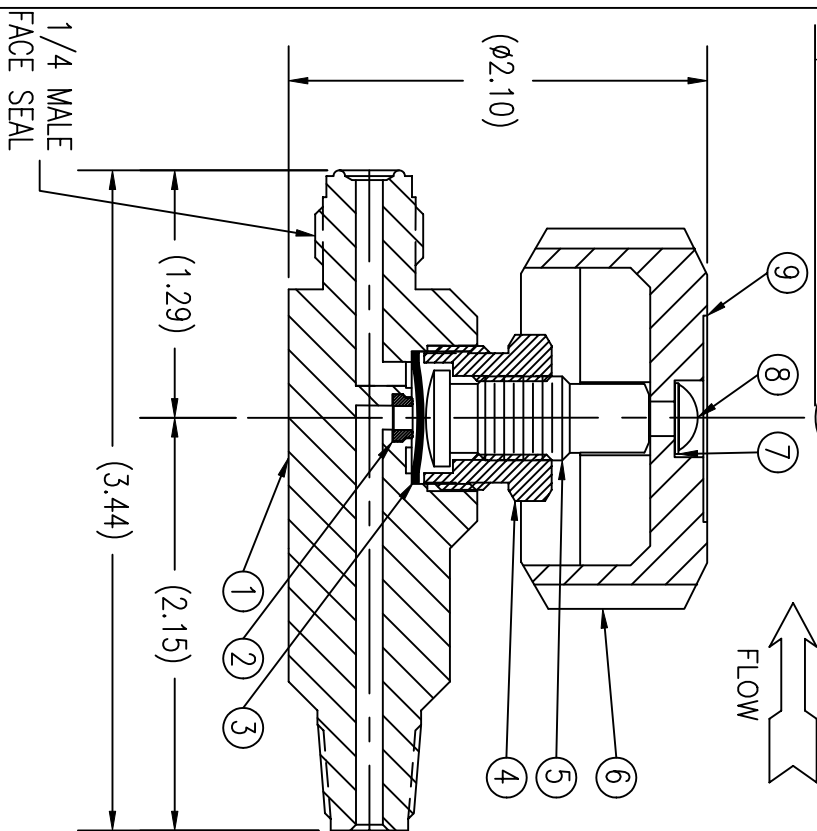


ITEM	PART NAME	MATERIAL	QTY
1	BODY	316L SST	1
2	SEAT INSERT	PCTFE	1
3	DIAPHRAGM ASSY.	316L SST/COPPER	1
4	BONNET	303 SST	1
5	STEM	416 SST	1
6	HANDLE	TEAL ABS PLASTIC	1
7	WASHER	18-8 SST	1
8	SCREW	18-8 SST	1
9	LABEL	VINYL/MYLAR	1



SPECIFICATIONS:
 PRESSURE RATING: 3500 PSI
 FLOW COEFFICIENT $C_v = .13$
 SEAT ORIFICE SIZE: .125 ϕ
 SEAT MATERIAL: PCTFE
 TEMPERATURE LIMITS:
 -65° F TO 150° F
 MAX. ALLOWABLE SEAT LEAKAGE:
 2 x 10-8 ATM CC/SEC He
 MAX. INBOARD LEAKAGE:
 2 x 10-8 ATM CC/SEC He
 WETTED SURFACES: 316L SST,
 PCTFE.

UNCONTROLLED
 For Reference Only
 MB 3/30/2007

GasFlo Products Inc.
 Fairfield, N.J.

- NOTES:
1. DIMENSIONS ARE IN INCHES.
 2. ULTRASONICALLY CLEANED & PACKAGED.

THIS DOCUMENT CONTAINS INFORMATION THAT IS THE PROPRIETARY AND CONFIDENTIAL PROPERTY OF GASFLO PRODUCTS INC. AND MAY BE USED ONLY FOR AUTHORIZED PURPOSES. THIS DOCUMENT MAY NOT BE REPRODUCED WITHOUT GASFLO PRODUCTS INC. PRIOR WRITTEN CONSENT

DWN	MB	SCALE: NTS
APPVD		DATE 12/3/02

SALES DRAWING- 1/4 MNPT x 1/4 MFS
 SST LONG LEG PACKLESS BARSTOCK VALVE
 DWG SALES-VLV-LL-44SS-MMFS