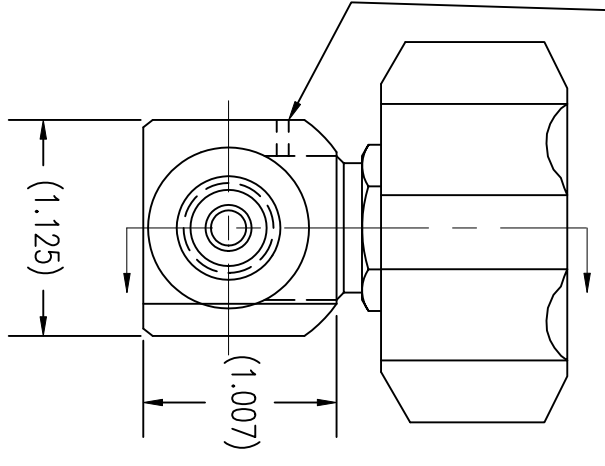
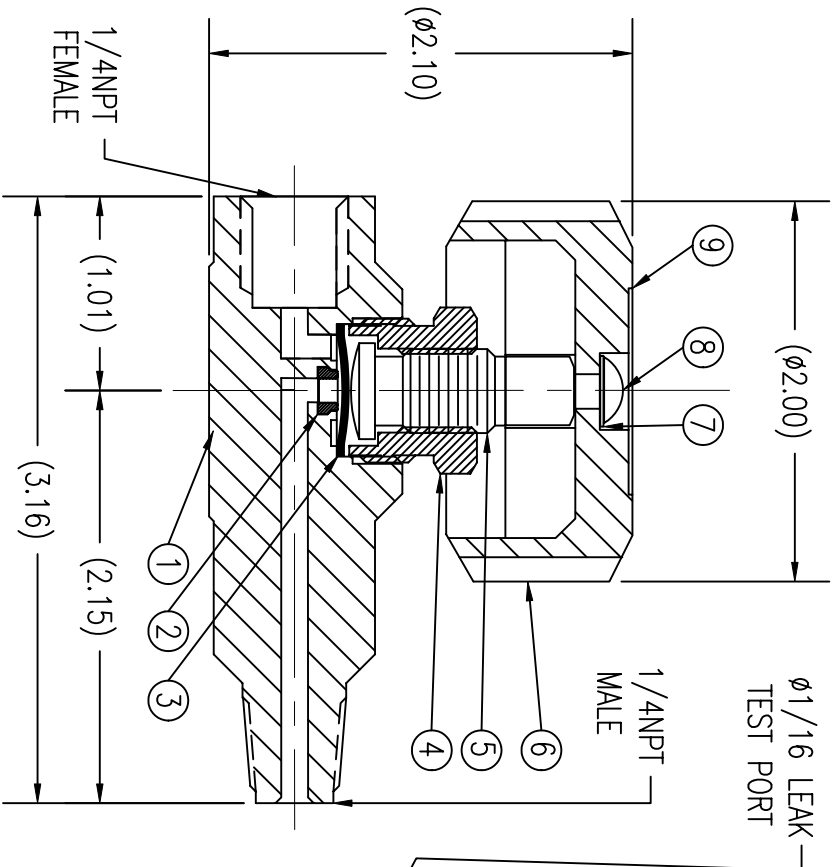


ITEM	PART NAME	MATERIAL	QTY
1	BODY	316L SST	1
2	SEAT INSERT	PCTFE	1
3	DIAPHRAGM ASSY.	316L SST/COPPER	1
4	BONNET	303 SST	1
5	STEM	416 SST	1
6	HANDLE	BLACK ABS PLASTIC	1
7	WASHER	18-8 SST	1
8	SCREW	18-8 SST	1
9	LABEL	VINYL/MYLAR	1



**SPECIFICATIONS:**  
 PRESSURE RATING: 3500 PSI  
 FLOW COEFFICIENT  $C_v = .13$   
 SEAT ORIFICE SIZE:  $.125 \phi$   
 SEAT MATERIAL: PCTFE  
 TEMPERATURE LIMITS:  
 -65° F TO 150° F  
 MAX. ALLOWABLE SEAT LEAKAGE:  
 2 x 10-8 ATM CC/SEC He  
 MAX. INBOARD LEAKAGE:  
 2 x 10-8 ATM CC/SEC He  
 WETTED SURFACES: 316L SST,  
 PCTFE.

UNCONTROLLED  
 For Reference Only  
 MB 3/30/2007

*GasFlo Products Inc.*  
 Fairfield, N.J.

SALES DRAWING-  
 LONG LEG PACKLESS BARSTOCK VALVE

NOTES:  
 1. DIMENSIONS ARE IN INCHES.

THIS DOCUMENT CONTAINS INFORMATION THAT IS THE PROPRIETARY AND CONFIDENTIAL PROPERTY OF GASFLO PRODUCTS INC. AND MAY BE USED ONLY FOR AUTHORIZED PURPOSES. THIS DOCUMENT MAY NOT BE REPRODUCED WITHOUT GASFLO PRODUCTS INC. PRIOR WRITTEN CONSENT

DWN	MB	SCALE: 1:1
APPVD		DATE 6/27/01

DWG	SALES-VLV-LL-44SS-MF
-----	----------------------