

ITEM	PART NAME	MATERIAL	QTY.
1	BODY	316L SST	1
2	SEAT INSERT	PCTFE	1
3	DAPHRAGM ASSY.	CONSISTS OF:	1
3A		COPPER	2
3B		316L SST	3
4	BONNET	303 SST	1
5	STEM	416 SST	1
6	HANDLE	BLACK ABS PLASTIC	1
7	WASHER	18-8 SST	1
8	SCREW	18-8 SST	1
9	LABEL	VINYL/MYLAR	1
10	NUT	316 SST	1
11	FERRULE SET	316 SST	1

SPECIFICATIONS: PRESSURE RATING: 3500 PSI SEAT ORIFICE SIZE: .125ø

DESIGN BURST TEST PRESSURE: 14000 PSI

FLOW COEFFICIENT: CV=.13 SEAT MATERIAL: PCTFE

TEMPERATURE LIMITS: -65°F TO 150°F

MAX. ALLOWABLE SEAT LEAKAGE: 2 X 10-8 ATM CC/SEC He

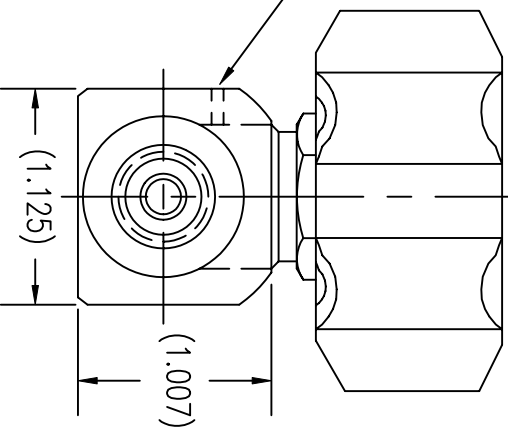
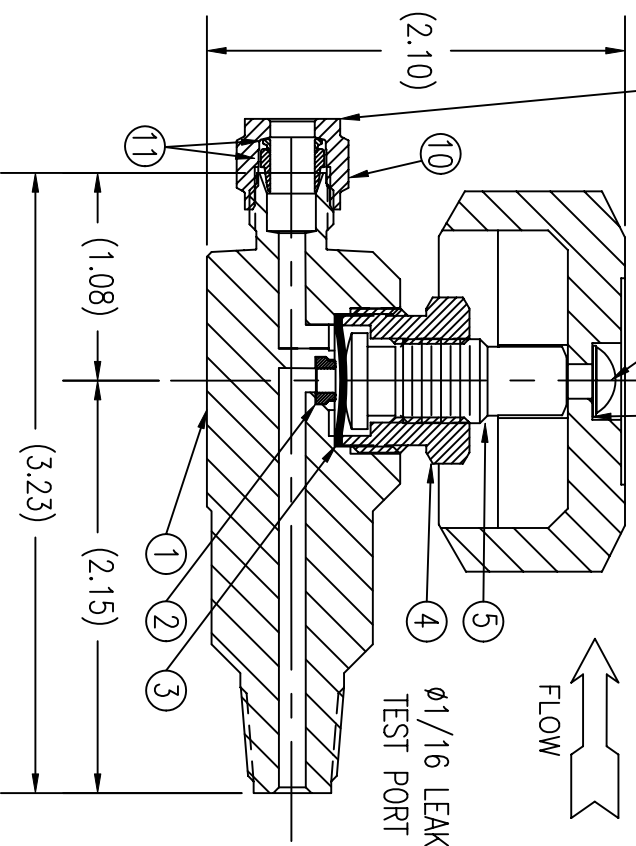
MAX. INBOARD LEAKAGE: 2 X 10-8 ATM CC/SEC He

WETTED SURFACES: 316L SST, PCTFE

BURST TEST PRESSURE AS PER TEST 03-01-004: 19000 PSI

NOTES:

1. DIMENSIONS ARE IN INCHES.
2. EACH ASSEMBLY IS HELIUM LEAK TESTED BY PRESSURIZING VALVE IN THE CLOSED POSITION WITH 2000 PSI HELIUM. THE OUTLET IS SNIFFED WITH A MASS SPECTROMETER LEAK DETECTOR, THEN OUTLET OF VALVE IS CARPED, VALVE OPENED AND WEEP HOLE SNIFFED WITH MASS SPECTROMETER LEAK DETECTOR. ANY DEVIATION FROM BACKGROUND SHALL BE CAUSE FOR REJECTION.
3. MALE NPT END CARPED, FERRULES, NUTS, HANDLE & LABEL ARE ASSEMBLED TO VALVE. SINGLE POLY BAGGED. BAG LABELED WITH GFP LOGO, PART NUMBER, "ULTRASONICALLY D.I. CLEANED" AND "MADE IN THE USA".



GasFlo Products Inc.
Fairfield, N.J.

SALES DWG. - DIA. PACKLESS VALVE
LONG LEG 1/4M X 1/4C SS316L

THIS DOCUMENT CONTAINS INFORMATION THAT IS THE PROPRIETARY AND CONFIDENTIAL PROPERTY OF GASFLO PRODUCTS INC. AND MAY BE USED ONLY FOR AUTHORIZED PURPOSES. THIS DOCUMENT MAY NOT BE REPRODUCED WITHOUT GASFLO PRODUCTS INC. PRIOR WRITTEN CONSENT

MAT'L: SEE BOM	SCALE: NTS
DWN: MB	DATE: 5/29/09
APP'VD:	

DWG: SALES-VLV-LL-44SS-MC
