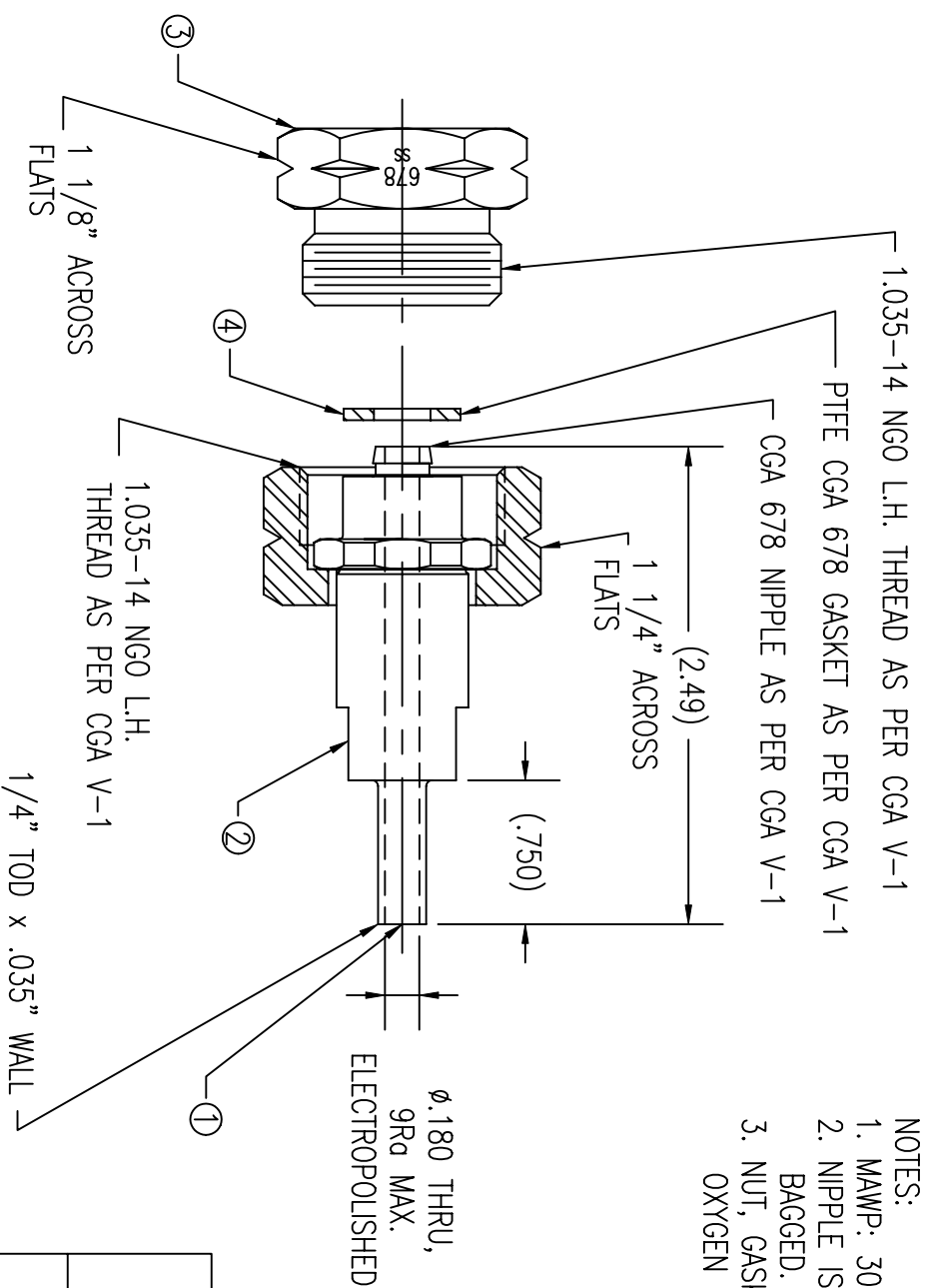


ITEM	COMPONENT NAME	MATERIAL	COMPONENT PN	QTY
1	NIPPLE	316L SST	NIP-678SS-4TS-P	1
2	NUT	303 SST	NUT-678SS	1
3	PLUG	303 SST	AD-678MSS-BL	1
4	GASKET	PTFE	GSK-66-T	1



- NOTES:
1. MAWP: 3000 PSI
 2. NIPPLE IS D.I. ULTRACLEANED AND DOUBLE BAGGED.
 3. NUT, GASKET, & PLUG ARE CLEANED FOR OXYGEN SERVICE AND SINGLE BAGGED.

UNCONTROLLED
For Reference Only
MB 11/14/2011

GasFlo Products Inc.
Fairfield, N.J.

CGA CYLINDER CONNECTION
SST # 678 x 1/4" TUBE WITH PTFE GASKET

THIS DOCUMENT CONTAINS INFORMATION THAT IS THE PROPRIETARY AND CONFIDENTIAL PROPERTY OF GASFL0 PRODUCTS INC. AND MAY BE USED ONLY FOR AUTHORIZED PURPOSES. THIS DOCUMENT MAY NOT BE REPRODUCED WITHOUT GASFL0 PRODUCTS INC. PRIOR WRITTEN CONSENT

DWN: MB SCALE: NTS
APPVD: DATE: 11/14/11

DWG: PT-678SS-4TS-P