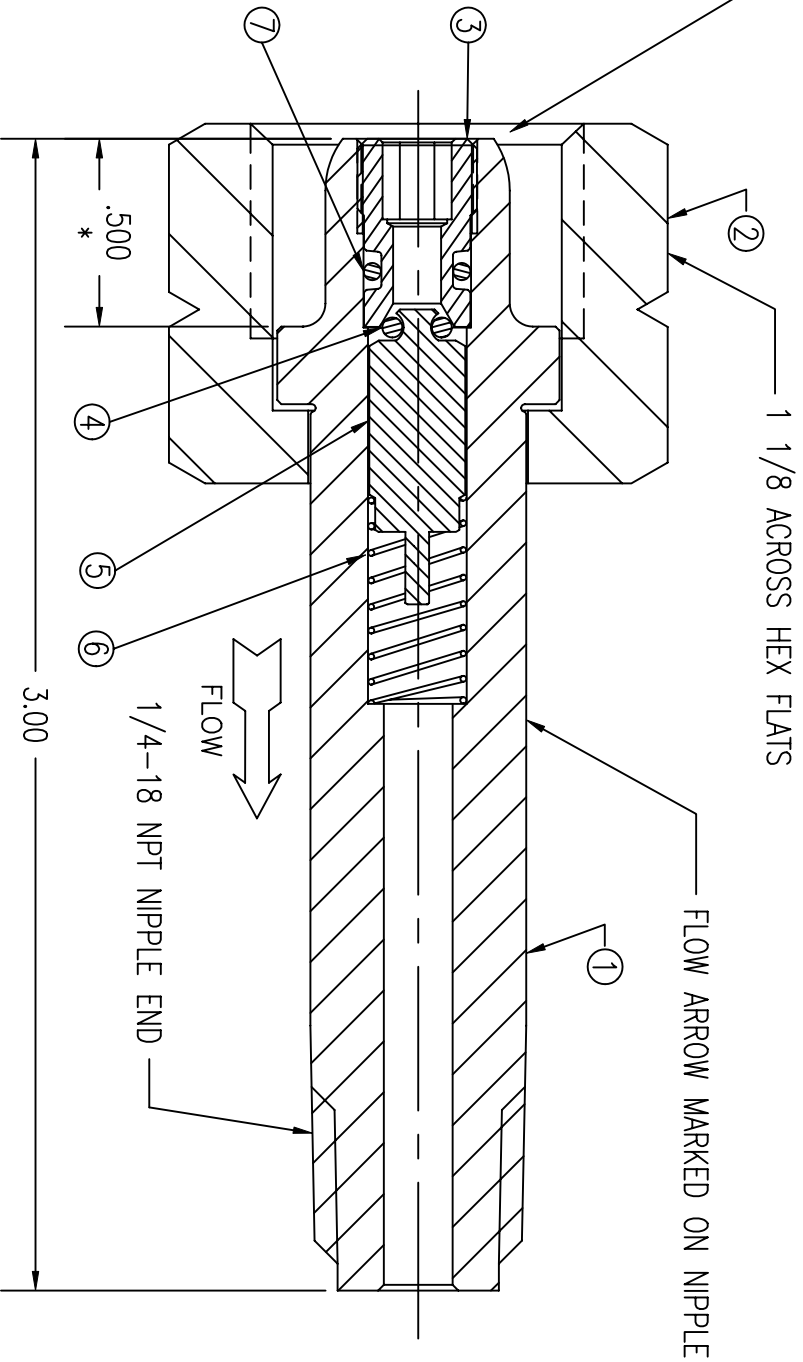


UNCONTROLLED  
For Reference Only

MB 3/30/2007

ITEM	PART NAME	MATERIAL	QTY
1	CHECK VALVE NIPPLE	BRASS CDA-360	1
2	NUT	BRASS CDA-360	1
3	SEAT	BRASS CDA-360	1
4	O-RING	VITON	1
5	VALVE	BRASS CDA-360	1
6	SPRING	316L SST	1
7	O-RING	VITON	1

NO. 350 NIPPLE END PER CGA V-1 EXCEPT AS NOTED \*



- NOTES:
1. DIMENSIONS ARE IN INCHES.
  2. EACH ITEM ULTRASONICALLY D.I. CLEANED AND SINGLE POLY BAGGED.

THIS DRAWING AND THE INFORMATION THEREON ARE PROPRIETARY AND CONFIDENTIAL PROPERTY OF GASFLU PRODUCTS INC. AND MAY BE USED ONLY FOR AUTHORIZED PURPOSES. THIS DRAWING MAY NOT BE REPRODUCED WITHOUT GASFLU PRODUCTS INC. PRIOR WRITTEN CONSENT.

MAT'L:	SEE B.O.M.
DWN: MB	SCALE: 2:1
APPVD:	DATE: 10/23/03

*GasFlu Products Inc.*  
*Fairfield, N.J.*

SALES DRAWING- BRASS CGA 350  
CHECK VALVE NIPPLE INLET ASSEMBLY

DWG: SALES-INL-CV350BR-4M