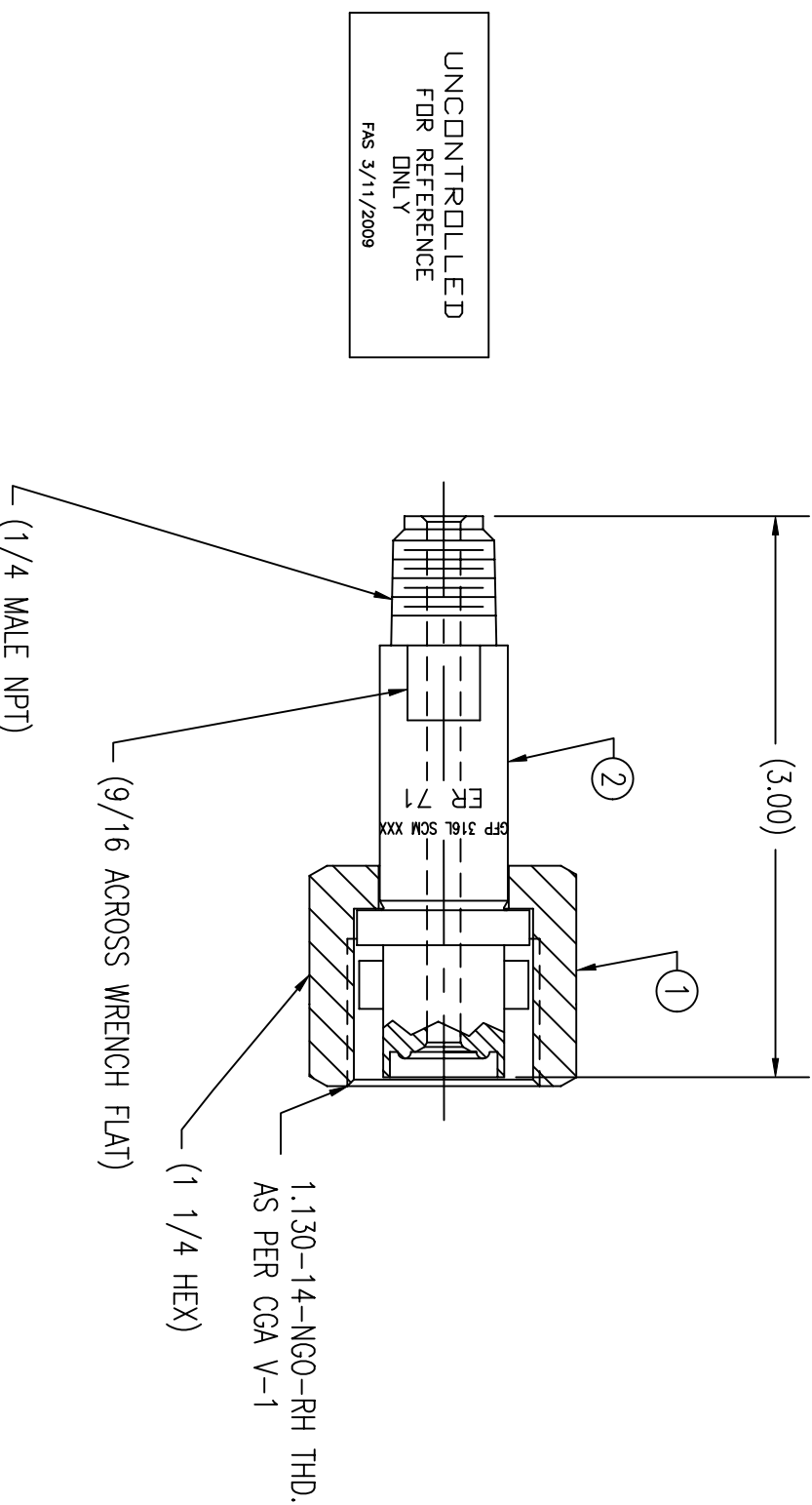


ITEM	PART NAME	PART NUMBER	QTY.
1	NUT	303 SST	1
2	NIPPLE	316L VIM/VAR SST	1



- NOTES:
1. MAMP: 3000 PSI.
  2. NIPPLE IS D.I. ULTRACLEANED AND DOUBLE BAGGED.
  3. NUT HAS SILVER PLATED THREADS, IS CLEANED FOR OXYGEN SERVICE AND SINGLE BAGGED.

THIS DOCUMENT CONTAINS INFORMATION THAT IS THE PROPRIETARY AND CONFIDENTIAL PROPERTY OF GASFLIO PRODUCTS INC. AND MAY BE USED ONLY FOR AUTHORIZED PURPOSES. THIS DOCUMENT MAY NOT BE REPRODUCED WITHOUT GASFLIO PRODUCTS INC. PRIOR WRITTEN CONSENT

TOLERANCES UNLESS OTHERWISE NOTED	
FRACTIONS ± 1/64	ANGLES ± 1 DEG
.XX = ±.010	.XXX = ±.005
CONCENTRICITY T.I.R. = .005	
SURFACE FINISH = 63 Rd	
MAT'L: SEE BOM	
DWN: FAS	SCALE: 1:1
SHT.: 1 of 1	DATE: 3/10/09

*GasFlío Products Inc.*  
*Fairfield, N.J.*

SALES DWG-EMERGENCY RESPONSE NONROTATING NIPPLE  
CGA 71 SERIES X 1/4" MALE NPT

DWG: SALES-INL-71ERSS-4M