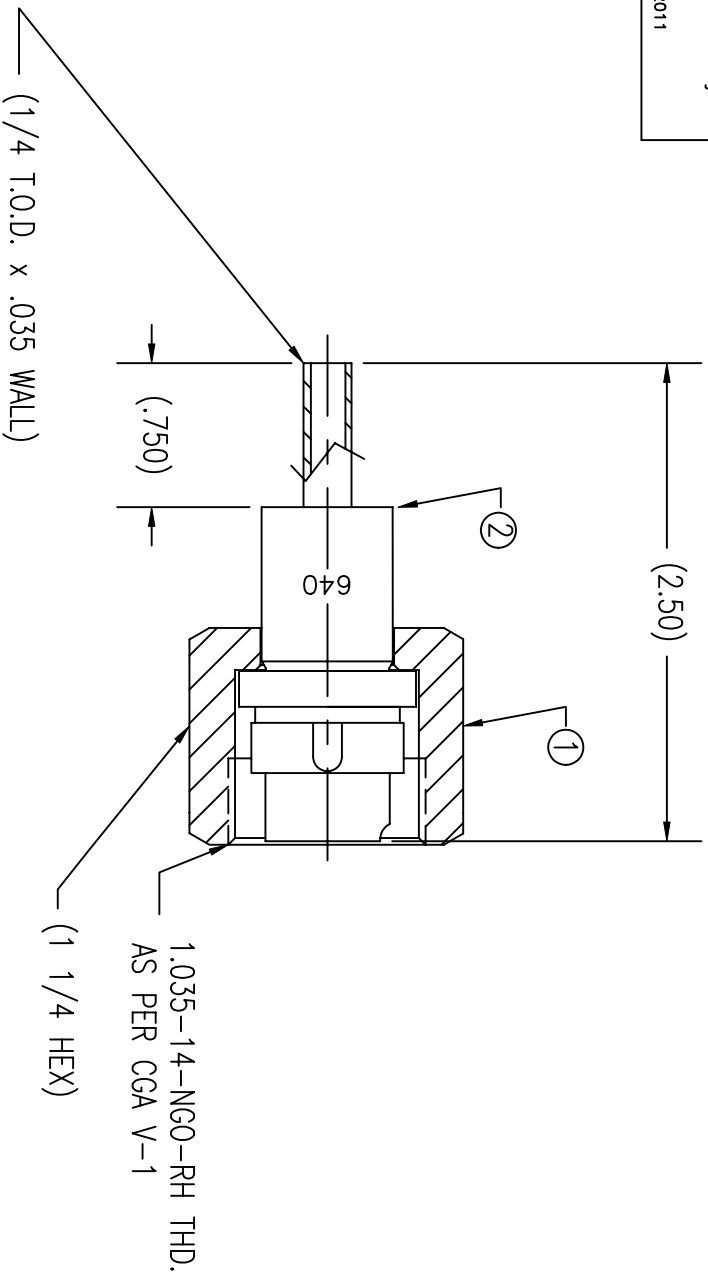


UNCONTROLLED
For Reference Only
MB 11/10/2011

ITEM	PART NAME	MATERIAL	QTY
1	NUT	303 SST	1
2	NIPPLE	316L VIM/VAR SST	1



NOTES:

1. NUT THREADS ARE SILVER PLATED.
2. ORDER PART NUMBER: INL-640SS-4TS.
3. NIPPLE IS D.I. ULTRACLEANED, NYLON INNER BAGGED AND POLY OUTER BAGGED.
4. NUT IS CLEANED FOR OXYGEN SERVICE AND SINGLE POLY BAGGED.
5. ASSEMBLY IS BULK POLY BAGGED AND LABELED WITH GFP LOGO AND GFP PART NUMBER.

THIS DOCUMENT CONTAINS INFORMATION THAT IS THE PROPRIETARY AND CONFIDENTIAL PROPERTY OF GASFLU PRODUCTS INC. AND MAY BE USED ONLY FOR AUTHORIZED PURPOSES. THIS DOCUMENT MAY NOT BE REPRODUCED WITHOUT GASFLU PRODUCTS INC. PRIOR WRITTEN CONSENT

DWN: MB
SCALE: NTS
DATE: 11/10/11

DWG: SALES-INL-640SS-4TS

GasFlu Products Inc.
Fairfield, N.J.

SALES DRAWING- INLET CONNECTION
CGA 640 x 1/4" TUBE STUB