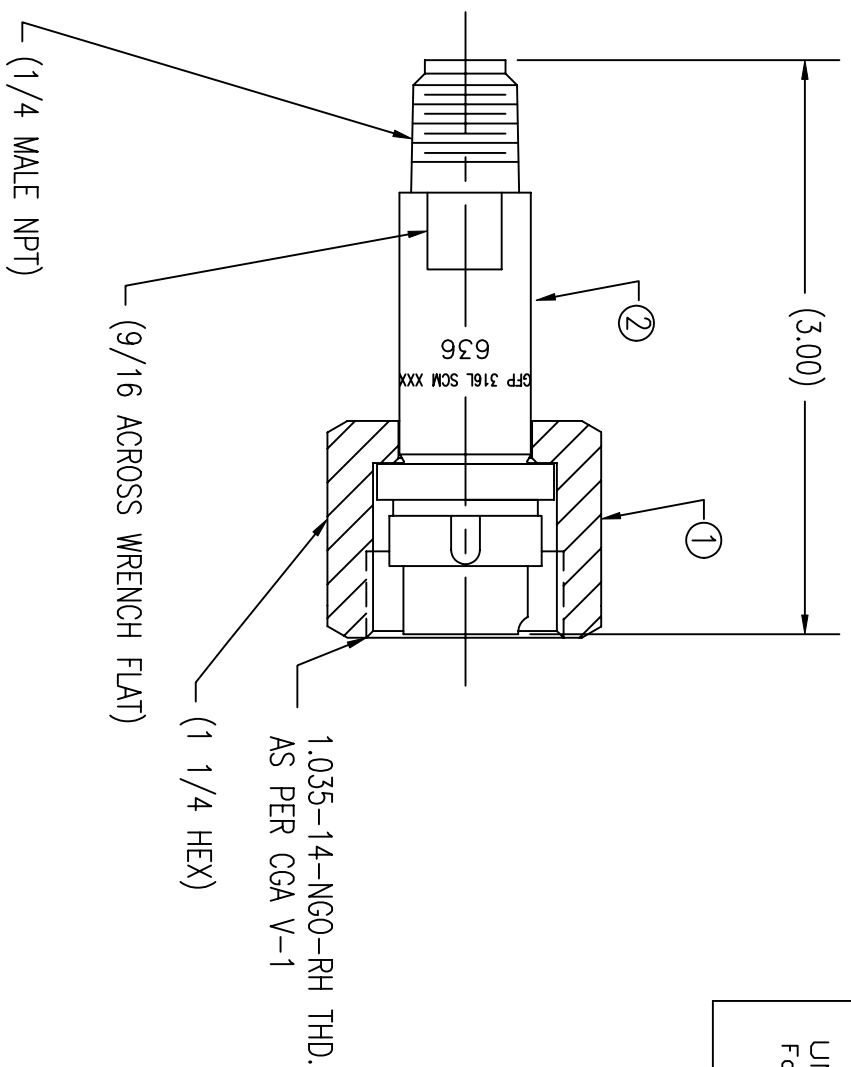


ITEM	PART NAME	MATERIAL	QTY
1	NUT	303 SST	1
2	NIPPLE	316L VIM/VAR SST	1

UNCONTROLLED
For Reference Only
MB 7/28/2011



- NOTES:
1. MAWP: 3000 PSI
 2. NIPPLE IS D.I. ULTRACLEANED AND DOUBLE BAGGED.
 3. NUT HAS SILVER PLATED THREADS, IS CLEANED FOR OXYGEN SERVICE AND SINGLE POLY BAGGED.

GasFlo Products Inc.
Fairfield, N.J.

SALES DRAWING- INLET CONNECTION
CGA 636 x 1/4" MALE NPT

DWN: MB	SCALE: NTS
APPVD:	DATE: 7/28/11
DWG: SALES-INL-636SS-4M	

THIS DOCUMENT CONTAINS INFORMATION THAT IS THE PROPRIETARY AND CONFIDENTIAL PROPERTY OF GASFLO PRODUCTS INC. AND MAY BE USED ONLY FOR AUTHORIZED PURPOSES.
THIS DOCUMENT MAY NOT BE REPRODUCED WITHOUT GASFLO PRODUCTS INC. PRIOR WRITTEN CONSENT