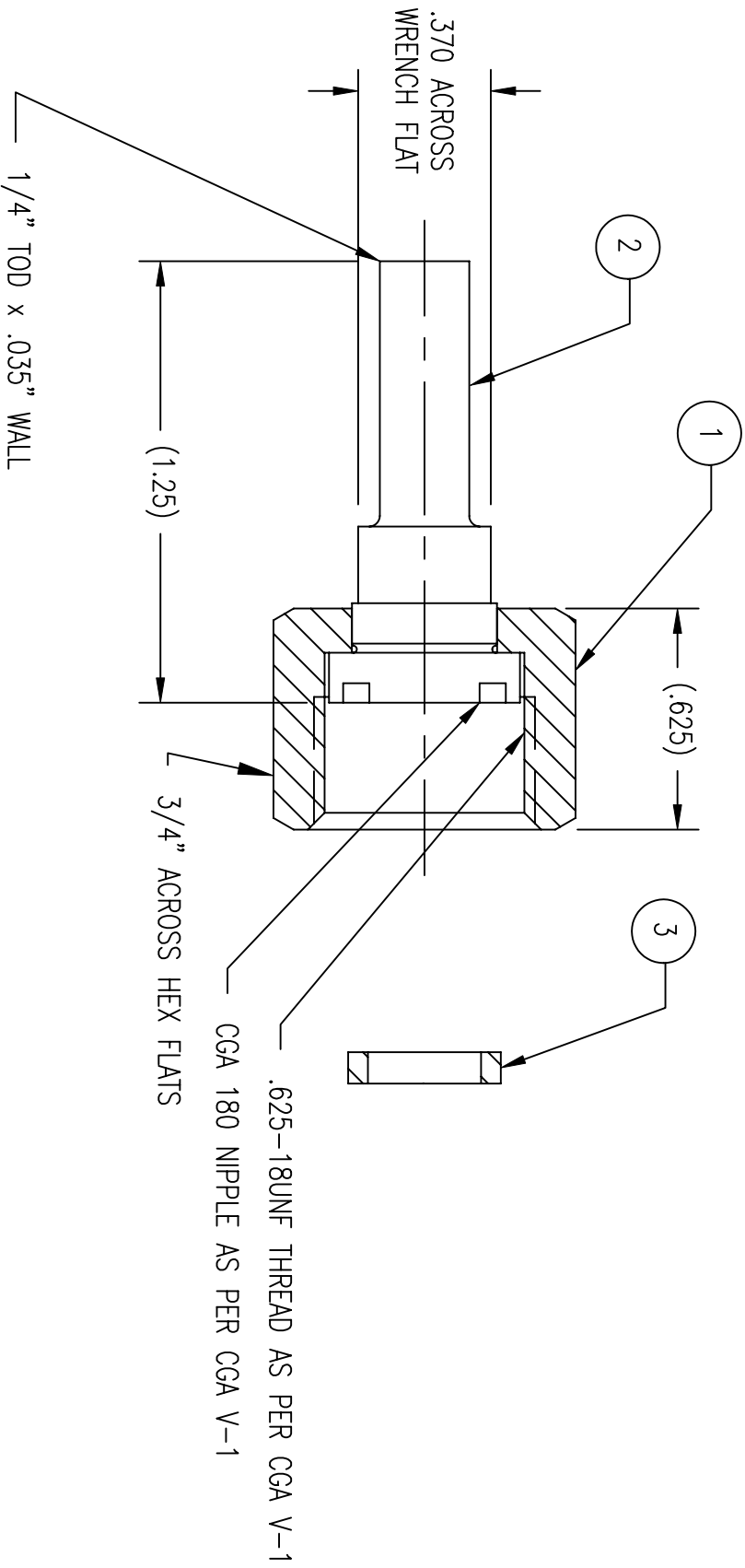


ITEM	PART NAME	MATERIAL	QTY.
1	NUT, CGA 180	303 SST	1
2	NIPPLE, CGA 180 x 1/4" TUBE	316L SST	1
3	GASKET, CGA 180, TEFLON	VIRGIN PTFE	1



- NOTES:
1. DIMENSIONS ARE IN INCHES.
 2. IN STOCKROOM, SINGLE POLY BAG NIPPLE & NUT. LABEL THIS BAG WITH GFP LOGO AND "INL-180SS-4TS-20F".

UNCONTROLLED
For Reference Only
MB 6/8/2010

GasFlo Products Inc.
Fairfield, N.J.

SALES DWG. - INLET CGA 180
X 1/4" TS; STAINLESS STEEL

THIS DOCUMENT CONTAINS INFORMATION THAT IS THE PROPRIETARY AND CONFIDENTIAL PROPERTY OF GASFLO PRODUCTS INC. AND MAY BE USED ONLY FOR AUTHORIZED PURPOSES. THIS DOCUMENT MAY NOT BE REPRODUCED WITHOUT GASFLO PRODUCTS INC. PRIOR WRITTEN CONSENT

MAT'L:	SEE BOM
DWN:	MB
SHT.:	1 of 1
SCALE:	2:1
DATE:	6/8/10

DWG: SALES-INL-180SS-4TS-20F