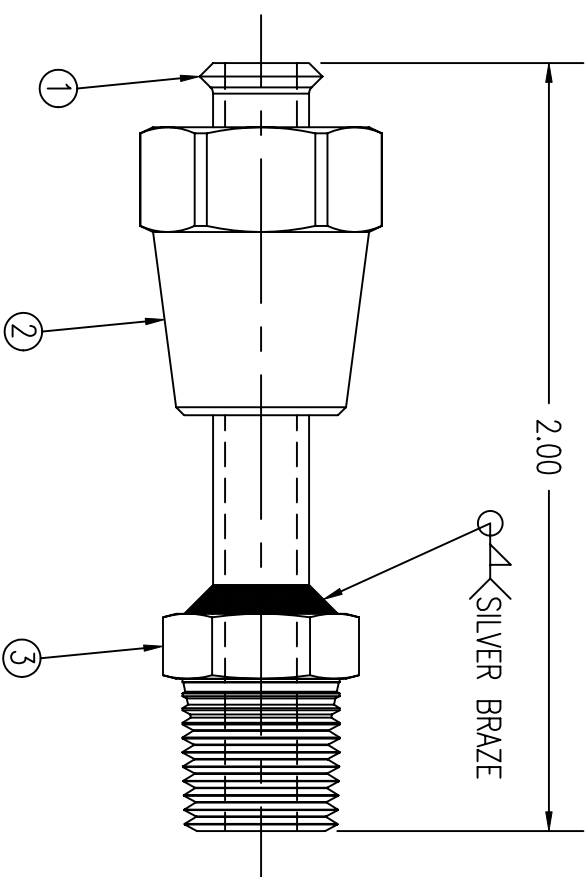


ITEM	PART NAME	MATERIAL	QTY
1	NIPPLE	BRASS	1
2	NUT	BRASS	1
3	ADAPTOR	BRASS	1



- NOTES:
1. DIMENSIONS ARE IN INCHES.
  2. BRITE DIP AFTER BRAZING.
  3. CLEAN FOR OXYGEN SERVICE.
  4. OUTBOARD HELIUM LEAK TEST BRAZE USING 1000 PISG HELIUM AND MASS SPECTROMETER LEAK DETECTOR. ANY DEVIATION FROM BACKGROUND SHALL BE CAUSE FOR REJECTION.
  5. SINGLE POLY BAG. LABEL BAG WITH GFP LOGO, PART NUMBER, "CLEANED FOR OXYGEN SERVICE", AND "MADE IN THE USA".

UNCONTROLLED  
FOR REFERENCE  
ONLY  
MB 7/10/2007

*GasFlo Products Inc.*  
*Fairfield, N.J.*

SALES DWG. – INLET  
CGA 165 x 1/8 NPTM; BRASS

THIS DOCUMENT CONTAINS INFORMATION THAT IS THE PROPRIETARY AND CONFIDENTIAL PROPERTY OF GASFLO PRODUCTS INC. AND MAY BE USED ONLY FOR AUTHORIZED PURPOSES. THIS DOCUMENT MAY NOT BE REPRODUCED WITHOUT GASFLO PRODUCTS INC. PRIOR WRITTEN CONSENT

MAT'L:	SEE B.O.M.
DWN:	MB
SCALE:	NTS
APP'VD:	DATE: 7/10/07

DWG:	SALES-INL-165BR-2M
------	--------------------