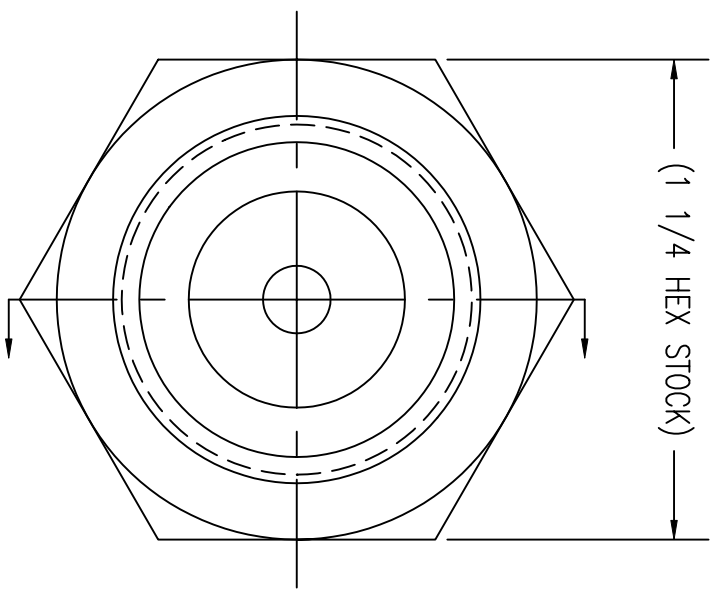
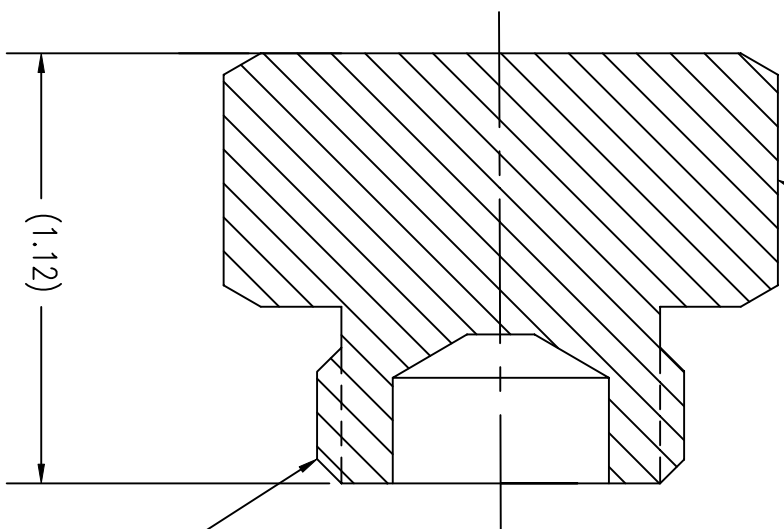


NOTE 2



DIN 10 VALVE OUTLET AS PER DIN 477 EXCEPT THRU HOLE

- NOTES:
1. DIMENSIONS ARE IN INCHES.
 2. MARKED AS SHOWN: 2MM HIGH "DIN 10"
1 1/2 MM HIGH "SS"
 3. CLEANED & PACKAGED FOR OXYGEN SERVICE.

MARKING MUST BE PERMANENT.

UNCONTROLLED
For Reference Only
MB 3/30/2007

GasFlo Products Inc.
Fairfield, N.J.

SALES DRAWING - VALVE OUTLET ADAPTER
DIN 10

MAT'L: 1 1/4" HEX 303 SST

DWN: MB SCALE: NTS

APPVD: DATE: 1/24/01

DWG: SALES-AD-DIN10MSS-BL

THIS DOCUMENT CONTAINS INFORMATION THAT IS THE PROPRIETARY AND CONFIDENTIAL PROPERTY OF GASFLO PRODUCTS INC. AND MAY BE USED ONLY FOR AUTHORIZED PURPOSES. THIS DOCUMENT MAY NOT BE REPRODUCED WITHOUT GASFLO PRODUCTS INC. PRIOR WRITTEN CONSENT