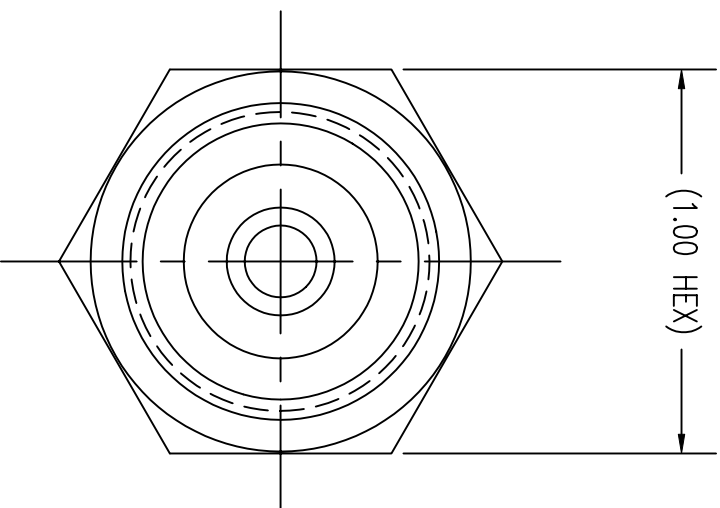
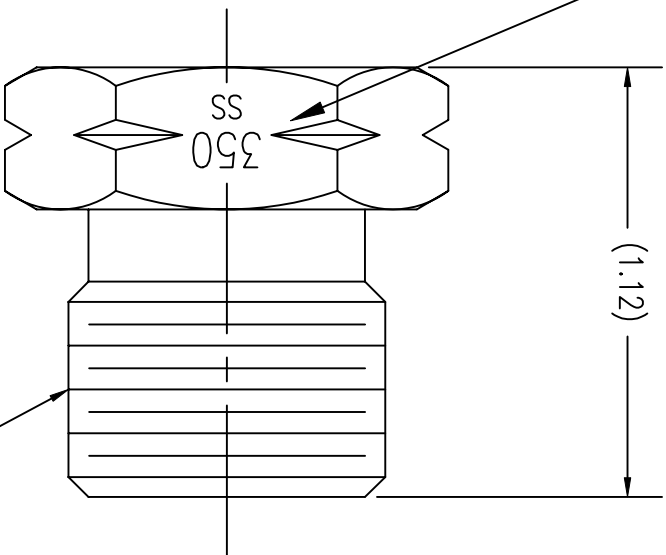


NOTE 2



.825-14NGO-LH-EXT THREAD
AND CGA 350 VALVE OUTLET AS
PER CGA V-1

UNCONTROLLED
For Reference Only

MB 8/1/2011

- NOTES:
1. DIMENSIONS ARE IN INCHES.
 2. MARKED AS SHOWN: .100" HIGH "350"
.080" HIGH "SS"
 3. CLEANED FOR OXYGEN SERVICE.
 4. MALE THREAD CAPPED. SINGLE POLY BAGGED. BAG LABELED
WITH GFP LOGO, PART NUMBER, "CLEANED FOR OXYGEN
SERVICE" AND "MADE IN THE USA".

GasFlo Products Inc.
Fairfield, N.J.

SALES DWG. - VALVE OUTLET ADAPTER
CGA 350 x BLANK

MAT'L: 303 SST

DWN: MB SCALE: NTS

APP'VD: DATE: 8/1/11

DWG: SALES-AD-350MSS-BL