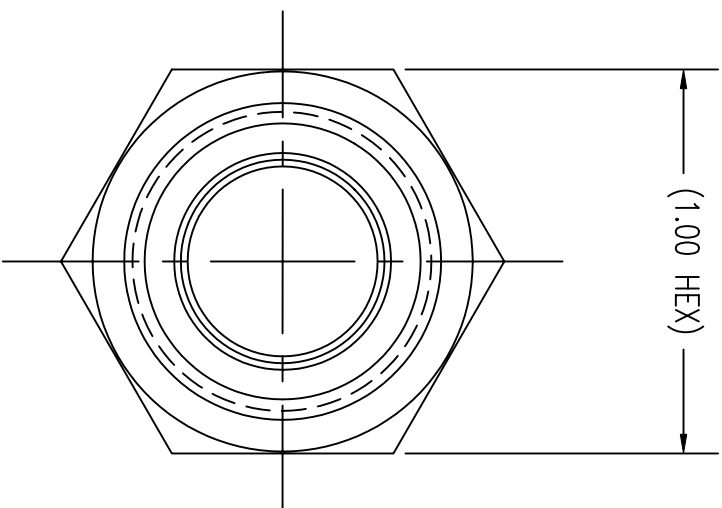
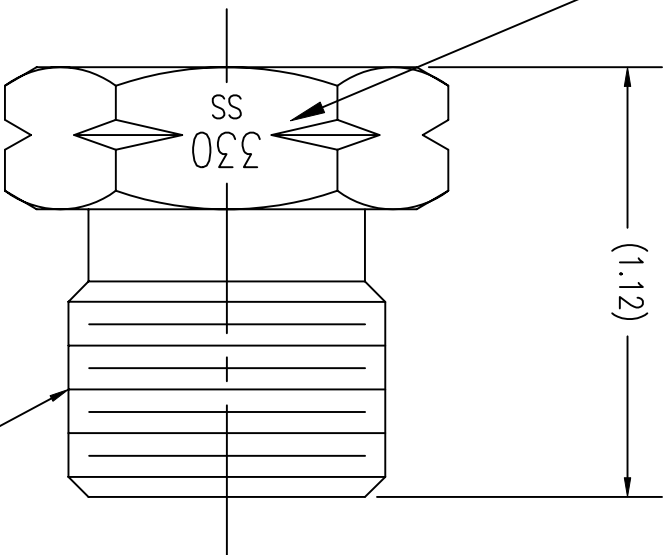


NOTE 2



.825-14NGO-LH-EXT THREAD
AND CGA 330 VALVE OUTLET AS
PER CGA V-1

- NOTES:
1. DIMENSIONS ARE IN INCHES.
 2. MARKED AS SHOWN: .100" HIGH "330"
.080" HIGH "SS"
 3. CLEANED FOR OXYGEN SERVICE.
 4. MALE THREAD CAPPED. SINGLE POLY BAGGED. BAG LABELED
WITH GFP LOGO, PART NUMBER, "CLEANED FOR OXYGEN
SERVICE" AND "MADE IN THE USA".

UNCONTROLLED
For Reference Only
MB 8/1/2011

GasFlo Products Inc.
Fairfield, N.J.

SALES DWG. - VALVE OUTLET ADAPTER
CGA 330 x BLANK

THIS DOCUMENT CONTAINS INFORMATION THAT IS THE PROPRIETARY AND CONFIDENTIAL PROPERTY
OF GASFLO PRODUCTS INC. AND MAY BE USED ONLY FOR AUTHORIZED PURPOSES.
THIS DOCUMENT MAY NOT BE REPRODUCED WITHOUT GASFLO PRODUCTS INC. PRIOR WRITTEN CONSENT

MAT'L:	303 SST
DWN:	MB
SCALE:	NTS
DATE:	8/1/11

DWG: SALES-AD-330MSS-BL