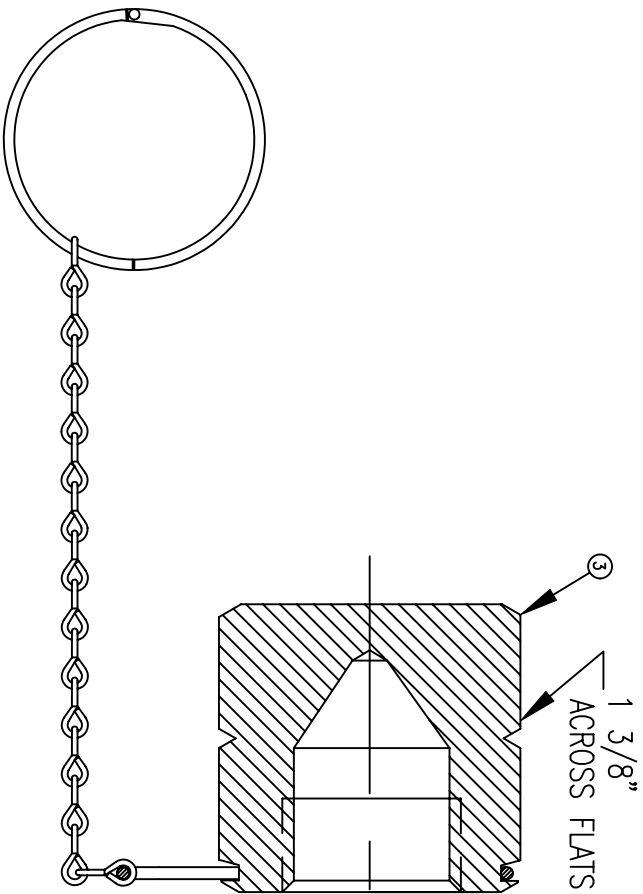
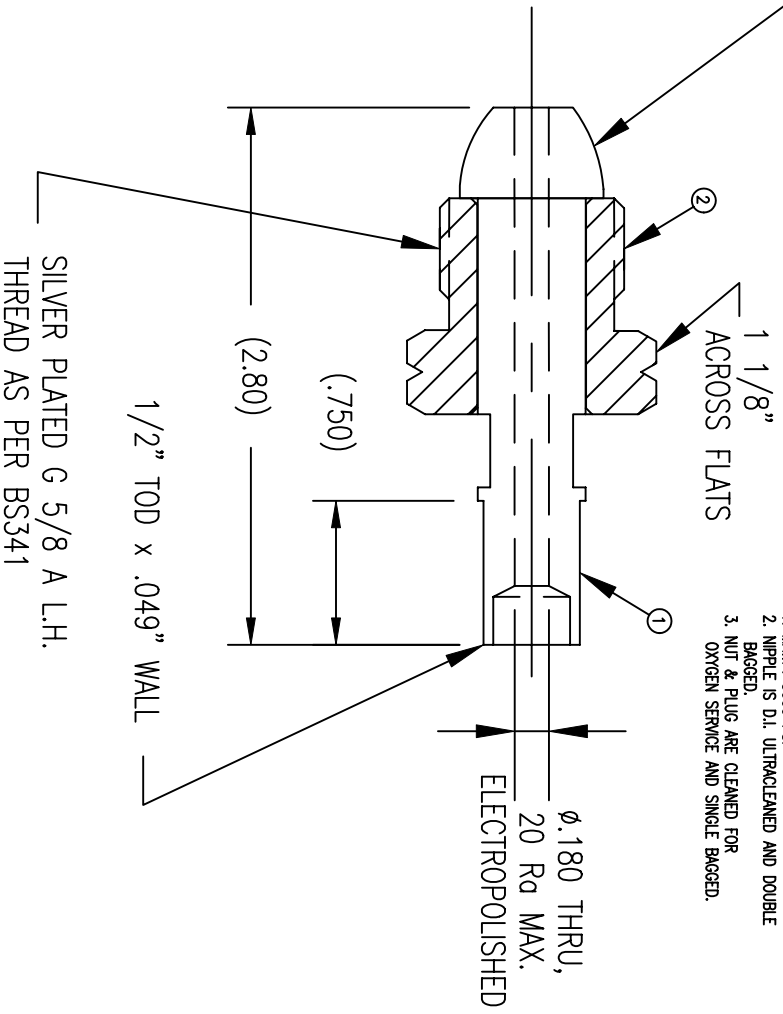


UNCONTROLLED  
 For Customer Review  
 & Approval Signature  
 MB 12/26/2008



BS 3 NIPPLE END  
 AS PER BS 341



- NOTES:  
 1. MAMP- 3000 PSI  
 2. NIPPLE IS D.I. ULTRACLEANED AND DOUBLE BAGGED.  
 3. NUT & PLUG ARE CLEANED FOR OXYGEN SERVICE AND SINGLE BAGGED.

ITEM	COMPONENT NAME	MATERIAL	COMPONENT PN	QTY
1	NIPPLE	316L SST	NP-BS4SS-8TS-P	1
2	NUT	303 SST	NU-BS4SS	1
3	PLUG	303 SST	AD-BS4SS-BL-R	1

AP PART NUMBER	GASFL0 ASSY. PART NUMBER
159606	PT-BS4SS-8TS-R

MAT'L: SEE B.O.M.

DWN: MB  
 SHT.: 1 of 1

SCALE: 2:1  
 DATE: 12/26/2008

DWG: PT-BS4SS-8TS-R

*GasFl0 Products Inc.*  
 Fairfield, N.J.

PIGTAIL ASSY. CONNECTION  
 BS4 x 1/2" TS; 316L

THIS DOCUMENT CONTAINS INFORMATION THAT IS THE PROPRIETARY AND CONFIDENTIAL PROPERTY OF GASFL0 PRODUCTS INC. AND MAY BE USED ONLY FOR AUTHORIZED PURPOSES. THIS DOCUMENT MAY NOT BE REPRODUCED WITHOUT GASFL0 PRODUCTS INC. PRIOR WRITTEN CONSENT