

GasFlo Products ST-8 Series Valves are a high pressure, medium flow design. This spring type, diaphragm, forged body valve can be easily field maintained with an economical re-build kit. The ST-8 Series provides an extended service life, positive shut off and smooth operation in 3/8" and 1/2" applications with pressure ranges from vacuum to 3500 psig.

FEATURES

- FORGED BODY CONSTRUCTION
- SPRING TYPE DESIGN
- METAL DIAPHRAGM SEALED
- MEDIUM FLOW, HIGH PRESSURE
- POSITIVE SHUT-OFF
- ULTRASONICALLY DI CLEANED
- 100% HELIUM LEAK TESTED
- PANEL MOUNTABLE
- AVAILABLE WITH ELECTROPOLISHED ID SURFACE ON REQUEST
- CUSTOM MATERIALS AND CONFIGURATIONS AVAILABLE ON REQUEST

MATERIALS OF CONSTRUCTION

- **BODY OPTIONS:**
316L STAINLESS STEEL
- **SEAT OPTIONS:**
PTFE OR POLYIMIDE
- **WETTED DIAPHRAGM:**
ELGILOY®
- **SPRING ASSEMBLY:**
316L STAINLESS STEEL
- **LOWER STEM:**
316L STAINLESS STEEL
- **BONNET NUT:**
303 STAINLESS STEEL
- **UPPER STEM:**
416 STAINLESS STEEL
- **HANDLE:**
POWDER COATED ALUMINUM
- **LABEL:**
VINYL / MYLAR

ELGILOY® REGISTERED TRADEMARK OF ELGILOY SPECIALTY METALS.

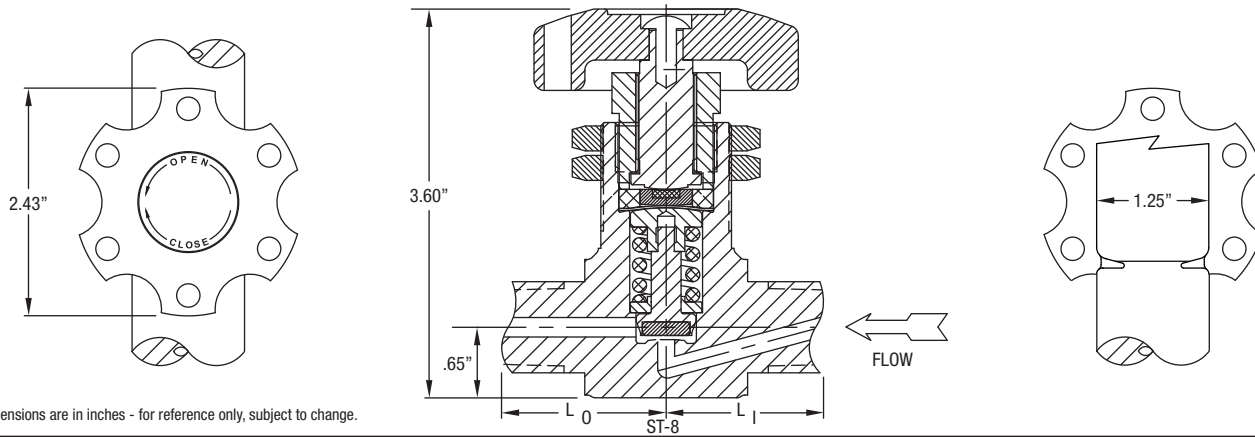
APPLICATIONS

- BULK SYSTEMS
- TUBE TRAILERS
- MASTER SHUT-OFF VALVE
- MANIFOLD SYSTEMS
- GAS/FLUID CONTROL PANELS

END CONNECTION OPTIONS

- 1/2" MALE AND 1/2" FEMALE PIPE THREAD
- 3/8" AND 1/2" TUBE SOCKET WELD
- 1/2" PIPE SOCKET WELD
- 1/2 MALE AND 1/2 FEMALE FACE SEAL
- 3/8" AND 1/2" ORBITAL TUBE WELD
- CUSTOM CONNECTIONS

DIMENSIONAL INFORMATION



All dimensions are in inches - for reference only, subject to change.

SPECIFICATIONS

PRESSURE RATING: 3500 PSIG	STANDARD SEAT MATERIAL: PCTFE	MAX. ALLOWABLE SEAT LEAKAGE: 2 x 10-8 ATM CC/SEC He
FLOW COEFFICIENT Cv = .30	TEMPERATURE LIMITS PCTFE SEAT: -65° F TO 150° F	MAX. INBOARD LEAKAGE: 2 x 10-8 ATM CC/SEC He
SEAT ORIFICE SIZE: Ø.156"	TEMPERATURE LIMITS OPTIONAL POLYIMIDE SEAT: -65° F TO 250° F	STANDARD PANEL MOUNT
	WETTED DIAPHRAGM: ELGILOY®	PANEL HOLE SIZE: 1.25" TO 1.4375" MAX THICKNESS .312"

ORDERING INFORMATION

TYPICAL PART NUMBER

VLV	ST	8	8	SS	F	F	PI
PRODUCT FAMILY VALVES	SERIES ST	INLET PORT SIZE 6 = 3/8 8 = 1/2	OUTLET PORT SIZE 6 = 3/8 8 = 1/2	MATERIAL SS = STAINLESS STEEL 316L	OPTIONAL FEATURES PI = POLYIMIDE SEAT 3 = 2 X 1.87" TUBE EXTENSIONS* 5 = 2 X 4" TUBE EXTENSIONS* <small>*AVAILABLE WITH ORBITAL TUBE WELD ENDS ONLY</small>	OUTLET CONNECTION F = FEMALE NPT (L ₀ = 1.595") M = MALE NPT (L ₀ = 1.50") MFS = MALE FACE SEAL (L ₀ = 1.50") P = PIPE SOCKET WELD (L ₀ = 1.595") W = TUBE SOCKET WELD (L ₀ = 1.595") TS = ORBITAL TUBE WELD (L ₀ = 1.13") TS-3 = ORBITAL TUBE WELD (L ₀ = 3.00") TS-5 = ORBITAL TUBE WELD (L ₀ = 5.13")	INLET CONNECTION F = FEMALE NPT (L ₁ = 1.595") M = MALE NPT (L ₁ = 1.50") MFS = MALE FACE SEAL (L ₁ = 1.50") P = PIPE SOCKET WELD (L ₁ = 1.595") W = TUBE SOCKET WELD (L ₁ = 1.595") TS = ORBITAL TUBE WELD (L ₁ = 1.13") TS-3 = ORBITAL TUBE WELD (L ₁ = 3.00") TS-5 = ORBITAL TUBE WELD (L ₁ = 5.13")

ELGILOY® REGISTERED TRADEMARK OF ELGILOY SPECIALTY METALS.

REPAIR KIT PN'S: RK-ST8SS-K, RK-ST8SS-PI

CUSTOM CONFIGURATIONS ARE AVAILABLE ON REQUEST. AVAILABLE WITH PNEUMATIC OPERATOR, SEE HPST-8 SERIES.

Minimum order quantities may be required. Some inlet/outlet combinations may not be available.

VALVE, FITTING OR OTHER COMPONENT FUNCTION, PROPER INSTALLATION, MATERIALS COMPATIBILITY, ADEQUATE RATINGS, OPERATION AND MAINTENANCE ARE THE RESPONSIBILITY OF THE SYSTEM DESIGNER AND USER.



PRODUCT FAILURE, IMPROPER SELECTION OR IMPROPER USE OF THE PRODUCTS AND/OR SYSTEMS DESCRIBED HEREIN OR RELATED ITEMS CAN CAUSE DEATH, PERSONAL INJURY AND PROPERTY DAMAGE.



MADE IN USA

19 Industrial Road, Fairfield, NJ 07004 Phone: 973-276-9011 Fax: 973-276-9014 www.gasflo.com



VLV-ST8-2014

Member Compressed Gas Association

© GasFlo Products, Inc. 2014