



GasFlo Products ST-4 Series Valves provide a positive shut off for critical gas/fluid systems. This economical spring type diaphragm valve offers superior leak integrity for Specialty Gas, Chemical, Instrumentation, Semiconductor, Medical and general purpose in 1/4" and 3/8" applications with pressure ranges from vacuum to 3500 psig.

## FEATURES

- SPRING TYPE DESIGN
- STANDARD FORGED BODY PIPE THREADED DESIGNS (AVAILABLE WITH PM OPTION)
- STANDARD BAR STOCK BODY FOR NON-PIPE THREADED DESIGNS (BOTTOM MOUNT STANDARD, AVAILABLE WITH PM OPTION)
- POSITIVE SHUT-OFF
- CLEANED FOR OXYGEN SERVICE
- 100% HELIUM LEAK TESTED
- AVAILABLE WITH ELECTROPOLISHED ID SURFACE ON REQUEST
- CUSTOM MATERIALS AND CONFIGURATIONS AVAILABLE ON REQUEST

## MATERIALS OF CONSTRUCTION

- **BODY OPTIONS:**  
BRASS, NICKEL PLATED BRASS, 316L STAINLESS STEEL
- **SEAT OPTIONS:**  
PCTFE OR POLYIMIDE
- **WETTED DIAPHRAGM:**  
316L STAINLESS STEEL
- **SPRING:**  
316L STAINLESS STEEL
- **LOWER STEM:**  
316L STAINLESS STEEL
- **BONNET:**  
BRASS, NICKEL PLATED BRASS OR 303 STAINLESS STEEL
- **UPPER STEM:**  
416 STAINLESS STEEL
- **HANDLE:**  
ABS PLASTIC (ANODIZED ALUMINUM ON REQUEST)
- **LABEL:**  
VINYL/MYLAR

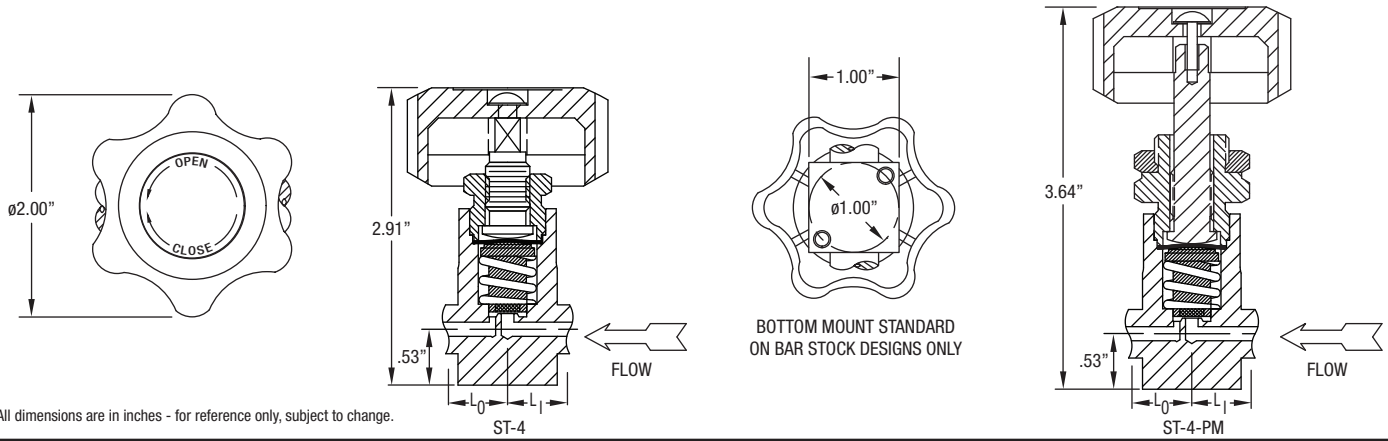
## APPLICATIONS

- GAS/FLUID CONTROL PANELS
- MANIFOLD SYSTEMS
- SAMPLING SYSTEMS
- GAS ANALYZERS
- GENERAL SHUT-OFF

## END CONNECTION OPTIONS

- 1/4" MALE AND 1/4" FEMALE PIPE THREAD
- 1/4" COMPRESSION
- 1/4 MALE AND 1/4 FEMALE FACE SEAL
- 1/4" AND 3/8" ORBITAL TUBE WELD
- CUSTOM CONNECTIONS

**DIMENSIONAL INFORMATION**



**SPECIFICATIONS**

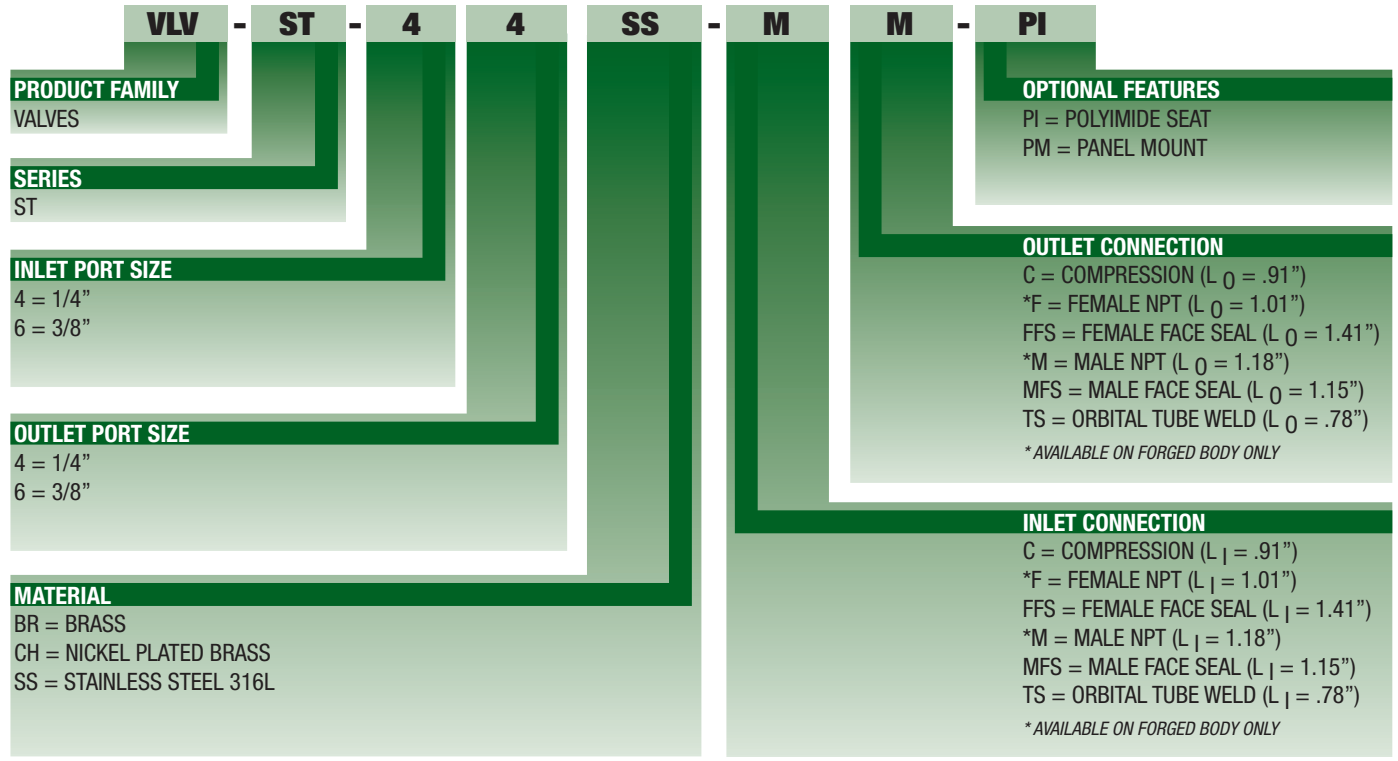
PRESSURE RATING: 3500 PSIG  
FLOW COEFFICIENT  $C_v = .26$   
SEAT ORIFICE SIZE:  $\varnothing .125"$   
STANDARD SEAT MATERIAL: PCTFE

TEMPERATURE LIMITS PCTFE SEAT:  $-65^\circ F$  to  $150^\circ F$   
TEMPERATURE LIMITS OPTIONAL POLYIMIDE SEAT:  $-65^\circ F$  to  $250^\circ F$   
MAX. ALLOWABLE SEAT LEAKAGE:  $2 \times 10^{-8}$  ATM CC/SEC He  
MAX. INBOARD LEAKAGE:  $2 \times 10^{-8}$  ATM CC/SEC He

WETTED DIAPHRAGM: 316L SST  
STANDARD BOTTOM MOUNT ON BAR STOCK BODY:  
 $2 \times 10^{-32}$  TAPPED HOLES ON A 1" BOLT CIRCLE  
OPTIONAL PANEL MOUNT: PANEL HOLE SIZE:  $49/64"$

**ORDERING INFORMATION**

TYPICAL PART NUMBER



3 PORT, 4 PORT AND CUSTOM CONFIGURATIONS ARE AVAILABLE ON REQUEST. AVAILABLE WITH PNEUMATIC OPERATOR, SEE HPST-4 SERIES.

Minimum order quantities may be required. Some inlet/outlet combinations may not be available.

VALVE, FITTING OR OTHER COMPONENT FUNCTION, PROPER INSTALLATION, MATERIALS COMPATIBILITY, ADEQUATE RATINGS, OPERATION AND MAINTENANCE ARE THE RESPONSIBILITY OF THE SYSTEM DESIGNER AND USER.



PRODUCT FAILURE, IMPROPER SELECTION OR IMPROPER USE OF THE PRODUCTS AND/OR SYSTEMS DESCRIBED HEREIN OR RELATED ITEMS CAN CAUSE DEATH, PERSONAL INJURY AND PROPERTY DAMAGE.



MADE IN USA

VLV-ST4-2014

19 Industrial Road, Fairfield, NJ 07004 Phone: 973-276-9011 Fax: 973-276-9014 www.gasflo.com



Member Compressed Gas Association

© GasFlo Products, Inc. 2014