



GasFlo Products SL Series Valves provide a positive shut off for critical gas/fluid systems. This economical springless diaphragm valve offers superior leak integrity for Specialty Gas, Chemical, Instrumentation, Semiconductor, Medical and general purpose applications with pressure ranges from vacuum to 3500 psig.

FEATURES

- BAR STOCK CONSTRUCTION
- SPRINGLESS DESIGN
- METAL DIAPHRAGM SEALED
- POSITIVE SHUT-OFF
- QUICK ACTING OPEN TO CLOSE
- LOW INTERNAL VOLUME
- HIGH CYCLE LIFE
- LEAK TEST PORT
- ULTRASONICALLY DI CLEANED
- 100% HELIUM LEAK TESTED
- STANDARD BOTTOM MOUNT DESIGN
- AVAILABLE WITH PANEL MOUNT OPTION
- AVAILABLE WITH ELECTROPOLISHED ID SURFACE ON REQUEST
- CUSTOM MATERIALS AND CONFIGURATIONS AVAILABLE ON REQUEST

MATERIALS OF CONSTRUCTION

- BODY OPTIONS:
BRASS, NICKEL PLATED BRASS, 316L STAINLESS STEEL, MONEL® R405, OR ALUMINUM SILICON BRONZE
- SEAT OPTIONS:
PCTFE OR POLYIMIDE
- WETTED DIAPHRAGM:
316L STAINLESS STEEL
- BONNET NUT:
BRASS, NICKEL PLATED BRASS, OR 303 STAINLESS STEEL
- STEM:
416 STAINLESS STEEL
- HANDLE:
ABS PLASTIC
- LABEL:
VINYL / MYLAR

MONEL® - TM - SPECIAL METALS CORPORATION

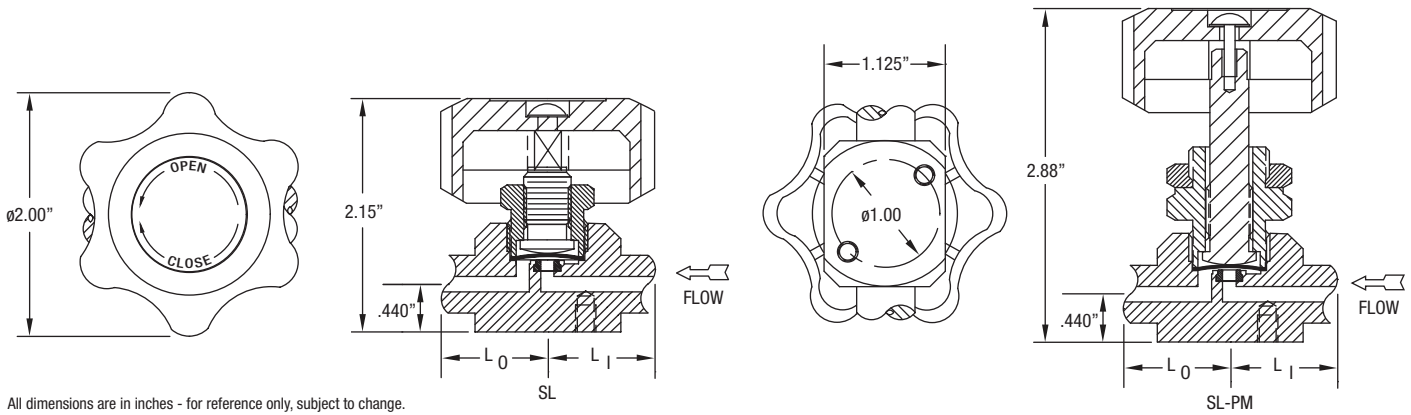
APPLICATIONS

- REGULATOR OUTLET VALVES
- GAS/FLUID CONTROL PANELS
- MANIFOLD SYSTEMS
- SAMPLING SYSTEMS
- GAS ANALYZERS
- GENERAL SHUT-OFF

END CONNECTION OPTIONS

- 1/4" MALE AND 1/4" FEMALE PIPE THREAD
- 1/4" COMPRESSION
- 1/4" AND 3/8" TUBE SOCKET WELD
- 1/4" PIPE SOCKET WELD
- 1/4 MALE AND 1/4 FEMALE FACE SEAL
- 1/4" AND 3/8" ORBITAL TUBE WELD
- CUSTOM CONNECTIONS

DIMENSIONAL INFORMATION



All dimensions are in inches - for reference only, subject to change.

SPECIFICATIONS

PRESSURE RATING: 3500 PSIG	STANDARD SEAT MATERIAL: PCTFE	MAX. ALLOWABLE SEAT LEAKAGE: 2 x 10-8 ATM CC/SEC He
FLOW COEFFICIENT C_v = .13	TEMPERATURE LIMITS PCTFE SEAT: -65° F TO 150° F	MAX. INBOARD LEAKAGE: 2 x 10-8 ATM CC/SEC He
SEAT ORIFICE SIZE: $\phi .125''$	TEMPERATURE LIMITS OPTIONAL POLYIMIDE SEAT: -65° F TO 250° F	STANDARD BOTTOM MOUNT: 2 x 10-32 TAPPED HOLES
	WETTED DIAPHRAGM: 316L SST	OPTIONAL PANEL MOUNT: PANEL HOLE SIZE: 57/64"

ORDERING INFORMATION

TYPICAL PART NUMBER

VLV	-	SL	-	4	4	BR	-	C	C	-	PM
PRODUCT FAMILY VALVES		SERIES SL		INLET PORT SIZE 4 = 1/4" 6 = 3/8"		OUTLET PORT SIZE 4 = 1/4" 6 = 3/8"		MATERIAL ASB = ALUMINUM SILICON BRONZE BR = BRASS CH = NICKEL PLATED BRASS MO = MONEL® SS = STAINLESS STEEL 316L			OPTIONAL FEATURES CP = CONSTANT PURGE PI = POLYIMIDE SEAT PM = PANEL MOUNT
									OUTLET CONNECTION C = COMPRESSION ($L_0 = .91''$) F = FEMALE NPT ($L_0 = 1.01''$) FFS = FEMALE FACE SEAL ($L_0 = 1.48''$) M = MALE NPT ($L_0 = 1.36''$) MFS = MALE FACE SEAL ($L_0 = 1.15''$) P = PIPE SOCKET WELD ($L_0 = 1.01''$) SW = TUBE SOCKET WELD ($L_0 = 1.18''$) TS = ORBITAL TUBE WELD ($L_0 = .88''$)		INLET CONNECTION C = COMPRESSION ($L_1 = .91''$) F = FEMALE ($L_1 = 1.01''$) FFS = FEMALE FACE SEAL ($L_1 = 1.48''$) M = MALE NPT ($L_1 = 1.36''$) MFS = MALE FACE SEAL ($L_1 = 1.15''$) P = PIPE SOCKET WELD ($L_1 = 1.01''$) SW = TUBE SOCKET WELD ($L_1 = 1.18''$) TS = ORBITAL TUBE WELD ($L_1 = .88''$)

MONEL® - TM - SPECIAL METALS CORPORATION

REPAIR KIT PN: RK-SL-DIA

3 PORT, 4 PORT AND CUSTOM CONFIGURATIONS ARE AVAILABLE ON REQUEST. ALSO AVAILABLE WITH PNEUMATIC OPERATOR, SEE LPSL AND HP SL SERIES.
Minimum order quantities may be required. Some inlet/outlet combinations may not be available.

VALVE, FITTING OR OTHER COMPONENT FUNCTION, PROPER INSTALLATION, MATERIALS COMPATIBILITY, ADEQUATE RATINGS, OPERATION AND MAINTENANCE ARE THE RESPONSIBILITY OF THE SYSTEM DESIGNER AND USER.



PRODUCT FAILURE, IMPROPER SELECTION OR IMPROPER USE OF THE PRODUCTS AND/OR SYSTEMS DESCRIBED HEREIN OR RELATED ITEMS CAN CAUSE DEATH, PERSONAL INJURY AND PROPERTY DAMAGE.



19 Industrial Road, Fairfield, NJ 07004 Phone: 973-276-9011 Fax: 973-276-9014 www.gasflo.com



Member Compressed Gas Association

© GasFlo Products, Inc. 2014