

GasFlo Products QSL Series Valves provide quarter turn, positive shut off for critical gas/fluid systems. The lever handle design allows for visual open/closed indication and quick acting cycling. This springless diaphragm valve offers superior leak integrity for Specialty Gas, Chemical, Instrumentation, Semiconductor, Medical and general purpose applications with pressure ranges from vacuum to 3500 psig.

## FEATURES

- BAR STOCK CONSTRUCTION
- QUARTER TURN LEVER HANDLE
- SPRINGLESS DESIGN
- METAL DIAPHRAGM SEALED
- POSITIVE SHUT-OFF
- QUICK ACTING OPEN TO CLOSE
- LOW INTERNAL VOLUME
- HIGH CYCLE LIFE
- LEAK TEST PORT
- ULTRASONICALLY DI CLEANED
- 100% HELIUM LEAK TESTED
- STANDARD BOTTOM MOUNT DESIGN
- AVAILABLE WITH PANEL MOUNT OPTION
- AVAILABLE WITH ELECTROPOLISHED ID SURFACE ON REQUEST
- CUSTOM MATERIALS AND CONFIGURATIONS AVAILABLE ON REQUEST

## MATERIALS OF CONSTRUCTION

- **BODY OPTIONS:**  
BRASS, NICKEL PLATED BRASS, 316L STAINLESS STEEL, MONEL® R405, OR ALUMINUM SILICON BRONZE
- **SEAT OPTIONS:**  
PCTFE OR POLYIMIDE
- **WETTED DIAPHRAGM:**  
316L STAINLESS STEEL
- **BONNET NUT:**  
303 STAINLESS STEEL
- **STEM:**  
416 STAINLESS STEEL
- **HANDLE:**  
CLEAR ANODIZED ALUMINUM  
CUSTOM COLORS AVAILABLE ON REQUEST
- **LABEL:**  
VINYL/MYLAR

MONEL® - TM - SPECIAL METALS CORPORATION

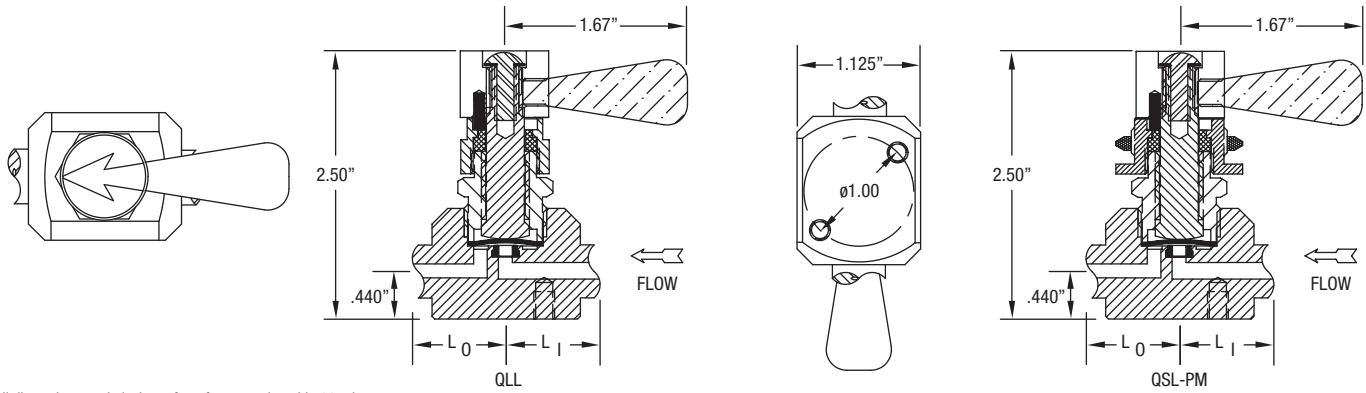
## APPLICATIONS

- GAS/FLUID CONTROL PANELS
- MANIFOLD SYSTEMS
- SAMPLING SYSTEMS
- GAS ANALYZERS
- VALVE MANIFOLD BOXES
- GENERAL SHUT-OFF

## END CONNECTION OPTIONS

- 1/4" MALE AND 1/4" FEMALE PIPE THREAD
- 1/4" COMPRESSION
- 1/4" AND 3/8" TUBE SOCKET WELD
- 1/4" PIPE SOCKET WELD
- 1/4 MALE AND 1/4 FEMALE FACE SEAL
- 1/4" AND 3/8" ORBITAL TUBE WELD
- CUSTOM CONNECTIONS

**DIMENSIONAL INFORMATION**



All dimensions are in inches - for reference only, subject to change.

**SPECIFICATIONS**

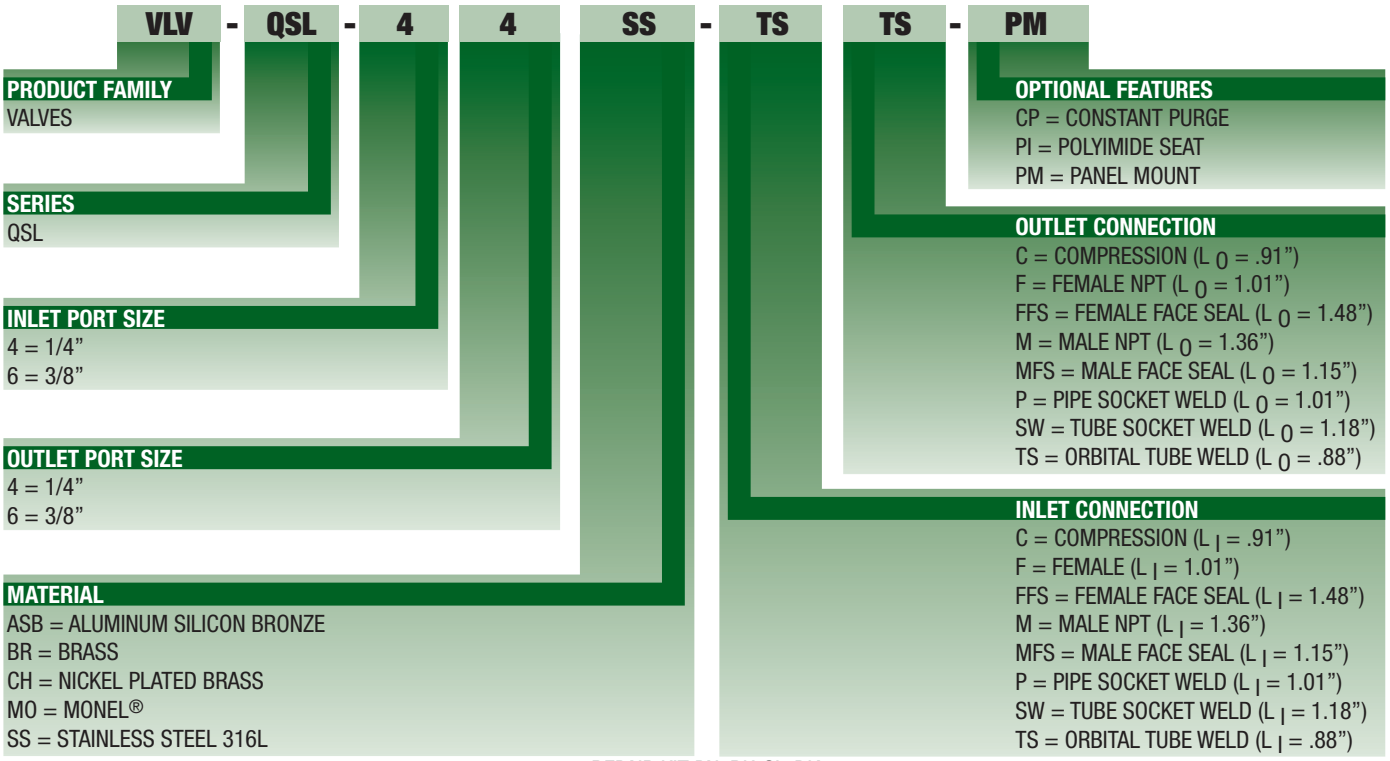
**PRESSURE RATING:** 3500 PSIG  
**FLOW COEFFICIENT Cv =** .13  
**SEAT ORIFICE SIZE:**  $\varnothing$ .125"

**STANDARD SEAT MATERIAL:** PCTFE  
**TEMPERATURE LIMITS PCTFE SEAT:** -65° F TO 150° F  
**TEMPERATURE LIMITS OPTIONAL POLYIMIDE SEAT:** -65° F TO 250° F  
**WETTED DIAPHRAGM:** 316L SST

**MAX. ALLOWABLE SEAT LEAKAGE:** 2 x 10<sup>-8</sup> ATM CC/SEC He  
**MAX. INBOARD LEAKAGE:** 2 x 10<sup>-8</sup> ATM CC/SEC He  
**STANDARD BOTTOM MOUNT:** 2 x 10-32 TAPPED HOLES  
**OPTIONAL PANEL MOUNT:** PANEL HOLE SIZE: 57/64"

**ORDERING INFORMATION**

**TYPICAL PART NUMBER**



MONEL® - TM - SPECIAL METALS CORPORATION

REPAIR KIT PN: RK-SL-DIA

3 PORT, 4 PORT AND CUSTOM CONFIGURATIONS ARE AVAILABLE ON REQUEST. ALSO AVAILABLE WITH PNEUMATIC OPERATOR, SEE LPSL AND HP SL SERIES.  
Minimum order quantities may be required. Some inlet/outlet combinations may not be available.

VALVE, FITTING OR OTHER COMPONENT FUNCTION, PROPER INSTALLATION, MATERIALS COMPATIBILITY, ADEQUATE RATINGS, OPERATION AND MAINTENANCE ARE THE RESPONSIBILITY OF THE SYSTEM DESIGNER AND USER.



PRODUCT FAILURE, IMPROPER SELECTION OR IMPROPER USE OF THE PRODUCTS AND/OR SYSTEMS DESCRIBED HEREIN OR RELATED ITEMS CAN CAUSE DEATH, PERSONAL INJURY AND PROPERTY DAMAGE.



19 Industrial Road, Fairfield, NJ 07004 Phone: 973-276-9011 Fax: 973-276-9014 www.gasflo.com



Member Compressed Gas Association

© GasFlo Products, Inc. 2014