

GasFlo Products QLL Series Valves are manufactured with an extended inlet leg and provide quarter turn, positive shut off for critical gas/fluid systems. The lever handle design allows for visual open/closed indication and quick acting cycling. This springless diaphragm valve offers superior leak integrity for Specialty Gas, Chemical, Instrumentation, Semiconductor, Medical and general purpose applications with pressure ranges from vacuum to 3500 psig.

FEATURES

- BAR STOCK CONSTRUCTION
- EXTENDED LONG LEG INLET
- QUARTER TURN LEVER HANDLE
- SPRINGLESS DESIGN
- METAL DIAPHRAGM SEALED
- POSITIVE SHUT-OFF
- QUICK ACTING OPEN TO CLOSE
- LOW INTERNAL VOLUME
- HIGH CYCLE LIFE
- LEAK TEST PORT
- ULTRASONICALLY DI CLEANED
- 100% HELIUM LEAK TESTED
- AVAILABLE WITH PANEL MOUNT OPTIONS
- AVAILABLE WITH ELECTROPOLISHED ID SURFACE ON REQUEST
- AVAILABLE IN REVERSE FLOW DESIGNS

MATERIALS OF CONSTRUCTION

- **BODY OPTIONS:**
BRASS, NICKEL PLATED BRASS, 316L STAINLESS STEEL, MONEL® R405, OR ALUMINUM SILICON BRONZE
- **SEAT OPTIONS:**
PCTFE OR POLYIMIDE
- **WETTED DIAPHRAGM:**
316L STAINLESS STEEL
- **BONNET NUT:**
303 STAINLESS STEEL
- **STEM:**
416 STAINLESS STEEL
- **HANDLE:**
CLEAR ANODIZED ALUMINUM
CUSTOM COLORS AVAILABLE ON REQUEST
- **LABEL:**
VINYL/MYLAR

MONEL® - TM - SPECIAL METALS CORPORATION

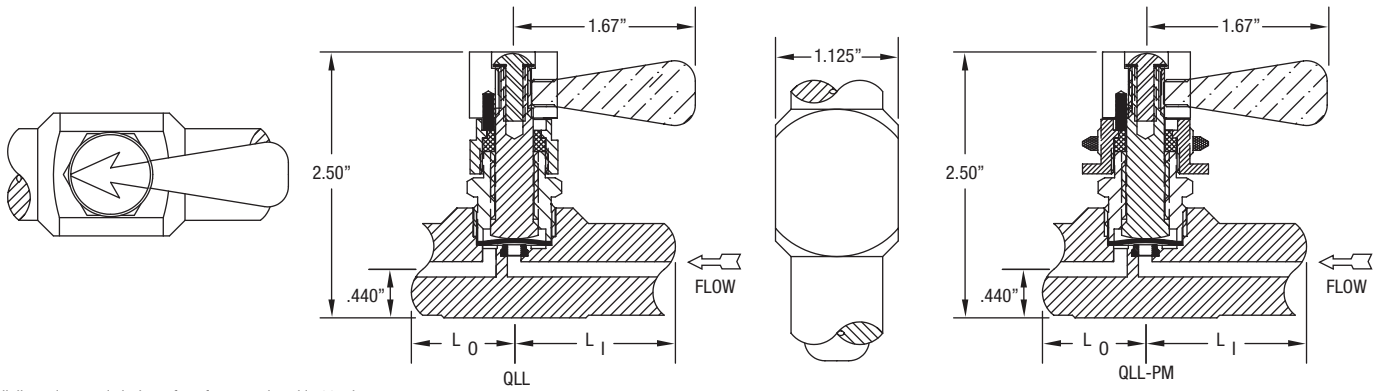
APPLICATIONS

- PURGE ASSEMBLIES
- GAS/FLUID CONTROL PANELS
- MANIFOLD SYSTEMS
- SAMPLING SYSTEMS
- GAS ANALYZERS
- GENERAL SHUT-OFF

END CONNECTION OPTIONS

- 1/4" MALE AND 1/4" FEMALE PIPE THREAD
- 1/4" COMPRESSION
- 1/4" AND 3/8" TUBE SOCKET WELD
- 1/4" PIPE SOCKET WELD
- 1/4 MALE AND 1/4 FEMALE FACE SEAL
- 1/4" AND 3/8" ORBITAL TUBE WELD
- CUSTOM CONNECTIONS

DIMENSIONAL INFORMATION



All dimensions are in inches - for reference only, subject to change.

SPECIFICATIONS

PRESSURE RATING: 3500 PSIG
FLOW COEFFICIENT Cv = .13
SEAT ORIFICE SIZE: \varnothing .125"

STANDARD SEAT MATERIAL: PCTFE
TEMPERATURE LIMITS PCTFE SEAT: -65° F TO 150° F
TEMPERATURE LIMITS OPTIONAL POLYIMIDE SEAT: -65° F TO 250° F
WETTED DIAPHRAGM: STAINLESS STEEL 316L

MAX. ALLOWABLE SEAT LEAKAGE: 2 x 10⁻⁸ ATM CC/SEC He
MAX. INBOARD LEAKAGE: 2 x 10⁻⁸ ATM CC/SEC He
OPTIONAL BOTTOM MOUNT: 2 x 10-32 TAPPED HOLES ON A 1" BOLT CIRCLE
OPTIONAL PANEL MOUNT: PANEL HOLE SIZE: 49/64"

ORDERING INFORMATION

TYPICAL PART NUMBER

PRODUCT FAMILY VALVES	VLV	-	QLL	-	4	4	-	SS	-	M	-	C	-	PI
SERIES QLL														
INLET PORT SIZE 4 = 1/4" R4 = REVERSE FLOW 1/4"														
OUTLET PORT SIZE 4 = 1/4" 6 = 3/8"														
MATERIAL ASB = ALUMINUM SILICON BRONZE BR = BRASS CH = NICKEL PLATED BRASS MO = MONEL® SS = STAINLESS STEEL 316L														
												OPTIONAL FEATURES BM = BOTTOM MOUNT PI = POLYIMIDE SEAT PM = PANEL MOUNT		
												OUTLET CONNECTION C = COMPRESSION (L ₀ = .91") F = FEMALE NPT (L ₀ = 1.01") FFS = FEMALE FACE SEAL (L ₀ = 1.48") M = MALE NPT (L ₀ = 1.36") MFS = MALE FACE SEAL (L ₀ = 1.15") P = PIPE SOCKET WELD (L ₀ = 1.01") SW = TUBE SOCKET WELD (L ₀ = 1.18") TS = ORBITAL TUBE WELD (L ₀ = .88")		
												INLET CONNECTION C = COMPRESSION (L ₁ = 1.70") F = FEMALE (L ₁ = 1.80") FFS = FEMALE FACE SEAL (L ₁ = 2.27") M = MALE NPT (L ₁ = 2.15") MFS = MALE FACE SEAL (L ₁ = 1.94") P = PIPE SOCKET WELD (L ₁ = 1.80") SW = TUBE SOCKET WELD (L ₁ = 1.97") TS = ORBITAL TUBE WELD (L ₁ = 1.67")		

MONEL® - TM - SPECIAL METALS CORPORATION

REPAIR KIT PN: RK-SL-DIA

CUSTOM CONFIGURATIONS ARE AVAILABLE ON REQUEST. ALSO AVAILABLE WITH PNEUMATIC OPERATOR, SEE LPLL AND HPLL SERIES.
Minimum order quantities may be required. Some inlet/outlet combinations may not be available.

VALVE, FITTING OR OTHER COMPONENT FUNCTION, PROPER INSTALLATION, MATERIALS COMPATIBILITY, ADEQUATE RATINGS, OPERATION AND MAINTENANCE ARE THE RESPONSIBILITY OF THE SYSTEM DESIGNER AND USER.



PRODUCT FAILURE, IMPROPER SELECTION OR IMPROPER USE OF THE PRODUCTS AND/OR SYSTEMS DESCRIBED HEREIN OR RELATED ITEMS CAN CAUSE DEATH, PERSONAL INJURY AND PROPERTY DAMAGE.



19 Industrial Road, Fairfield, NJ 07004 Phone: 973-276-9011 Fax: 973-276-9014 www.gasflo.com



Member Compressed Gas Association

© GasFlo Products, Inc. 2014