



GasFlo Products CV-BS Series Check Valves prevent the reverse flow of gas/fluids and protects regulators, cylinder valves, purge assemblies and manifold systems. Manufactured from bar stock this poppet and spring design with an O-ring at the valve seat ensures positive shut off and quick acting response.

FEATURES

- ONE-PIECE BAR STOCK CONSTRUCTION
- IN-LINE CONFIGURATION
- POPPET, SPRING AND O-RING DESIGN
- STANDARD CRACKING PRESSURE: 1/3 PSIG
- DIRECTION OF FLOW CLEARLY LASER MARKED
- CLEANED FOR OXYGEN SERVICE
- 100% LEAK TESTED
- CUSTOM MATERIALS AND CONFIGURATIONS AVAILABLE ON REQUEST

MATERIALS OF CONSTRUCTION

- **MATERIAL OPTIONS:**
 - BRASS BODY, SEAT AND POPPET WITH 316L STAINLESS STEEL SPRING
 - NICKEL PLATED BRASS BODY WITH BRASS SEAT AND POPPET AND 316L STAINLESS STEEL SPRING
 - 316L STAINLESS STEEL BODY, SEAT, POPPET AND SPRING
 - MONEL® R405 BODY, SEAT, POPPET AND SPRING
- **O-RING OPTIONS:**
VITON® (STANDARD), EPR OR NEOPRENE

MONEL® - TM - SPECIAL METALS CORPORATION

VITON® - DuPONT

APPLICATIONS

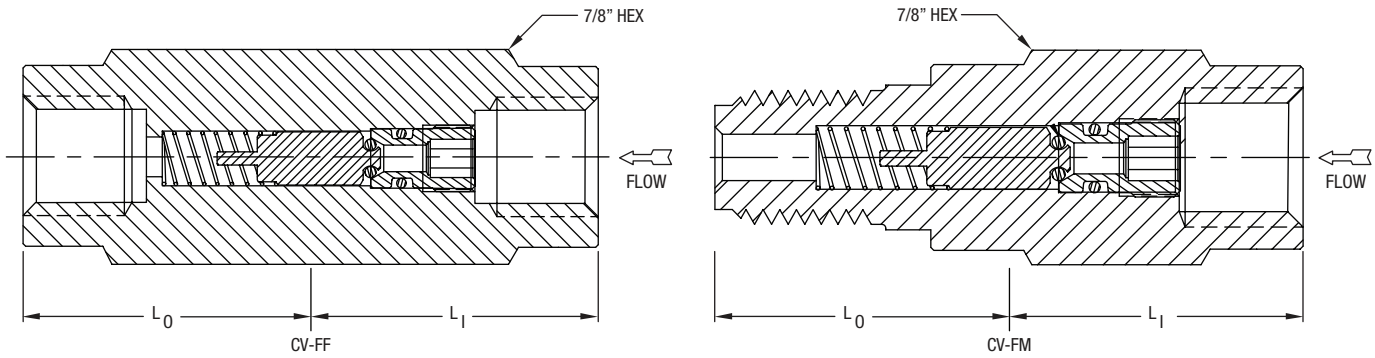
- REGULATORS
- PIGTAILS
- PURGE ASSEMBLIES
- MANIFOLD SYSTEMS

END CONNECTION OPTIONS

- 1/4" FEMALE AND 1/4" MALE PIPE THREAD



DIMENSIONAL INFORMATION



All dimensions are in inches - for reference only, subject to change.

SPECIFICATIONS

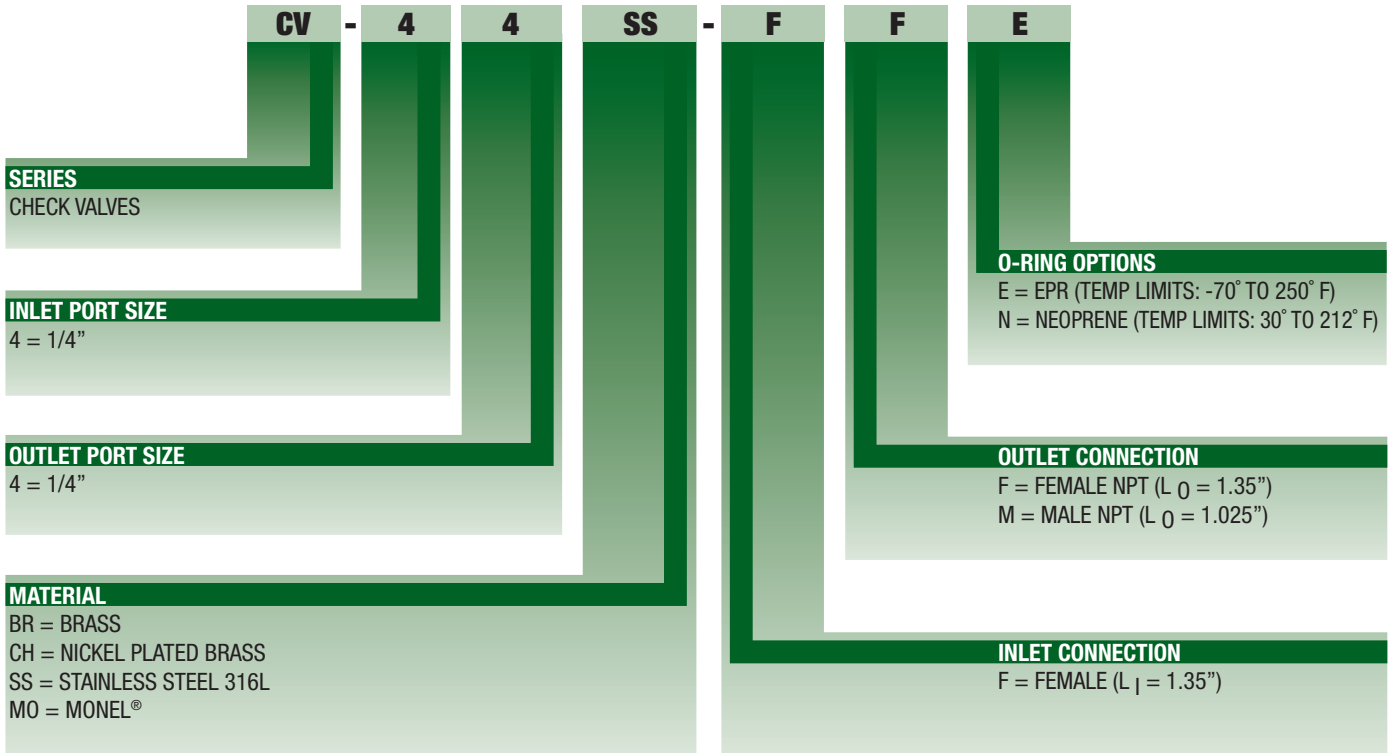
PRESSURE RATING: 3000 PSIG
FLOW COEFFICIENT $C_v = .35$
SEAT ORIFICE SIZE: $\emptyset.125"$

CRACKING PRESSURE: 1/3 PSIG
STANDARD O-RING MATERIAL: VITON®
TEMPERATURE LIMITS: VITON® = -15° TO 400° F

BUBBLE TESTED AT 1000 PSIG
CLEANED FOR O₂ SERVICE

ORDERING INFORMATION

TYPICAL PART NUMBER



MONEL® - TM - SPECIAL METALS CORPORATION

VITON® - DuPONT

HIGH PURITY DESIGNS AVAILABLE, SEE CV-SB SERIES.

Minimum order quantities may be required. Some inlet/outlet combinations may not be available.

VALVE, FITTING OR OTHER COMPONENT FUNCTION, PROPER INSTALLATION, MATERIALS COMPATIBILITY, ADEQUATE RATINGS, OPERATION AND MAINTENANCE ARE THE RESPONSIBILITY OF THE SYSTEM DESIGNER AND USER.



PRODUCT FAILURE, IMPROPER SELECTION OR IMPROPER USE OF THE PRODUCTS AND/OR SYSTEMS DESCRIBED HEREIN OR RELATED ITEMS CAN CAUSE DEATH, PERSONAL INJURY AND PROPERTY DAMAGE.



19 Industrial Road, Fairfield, NJ 07004 Phone: 973-276-9011 Fax: 973-276-9014 www.gasflo.com

