

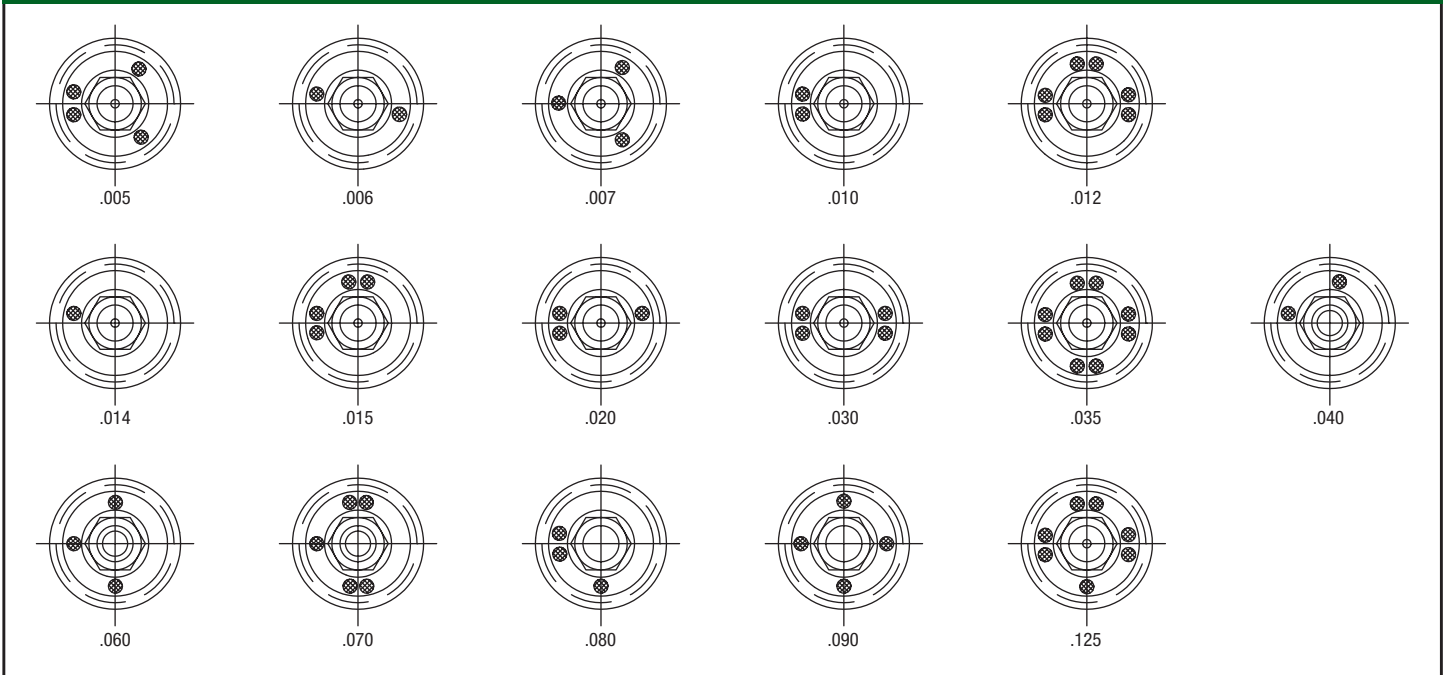
PART NUMBER	A = ORIFICE DIAMETER:		Cv
	inches	millimeters	
FR-SS-05	0.005	0.13	.00075
FR-SS-06	0.006	0.15	.0011
FR-SS-07	0.007	0.18	.0017
FR-SS-10	0.010	0.25	.0033
FR-SS-12	0.012	0.30	.0040
FR-SS-14	0.014	0.36	.0063
FR-SS-15	0.015	0.38	.0067
FR-SS-20	0.020	0.51	.013
FR-SS-30	0.030	0.76	.029
FR-SS-35	0.035	0.89	.033
FR-SS-40	0.040	1	.05
FR-SS-60	0.060	1.5	.11
FR-SS-70	0.070	1.78	.13
FR-SS-80	0.080	2	.22
FR-SS-90	0.090	2.25	.27
FR-SS-125	0.125	3.18	.41
F = 2 Micron Filter Option			
FR-SS-05-F	0.005	0.13	< .00075
FR-SS-06-F	0.006	0.15	< .0011
FR-SS-07-F	0.007	0.18	< .0017
FR-SS-10-F	0.010	0.25	< .0033
FR-SS-12-F	0.012	0.30	< .0040
FR-SS-14-F	0.014	0.36	< .0063
FR-SS-15-F	0.015	0.38	< .0067
FR-SS-20-F	0.020	0.51	< .013
FR-SS-30-F	0.030	0.76	< .029
FR-SS-35-F	0.035	0.89	< .033
FR-SS-40-F	0.040	1	< .05
FR-SS-60-F	0.060	1.5	< .11
FR-SS-70-F	0.070	1.78	< .13
FR-SS-80-F	0.080	2	< .22
FR-SS-90-F	0.090	2.25	< .27
FR-SS-125-F	0.125	3.18	< .41

Flow coefficients (Cv) are approximate and based on nitrogen flow testing.



GasFlo Products is the leading manufacturer of cylinder valve outlet flow restrictor orifice assemblies in North America. Manufactured to meet specialty gas and ultra high purity applications; these precision machined components are available in many standard orifice sizes from .005" to .125". Supplied as a threaded fitting to allow for replacement and size changeability, GFP orifice assemblies utilize a PCTFE seat insert to ensure a leak-tight seal. All flow restrictors are electropolished, DI ultra cleaned, 100% inspected and laser marked for size identification.

FLOW RESTRICTOR ORIFICE MARKING GUIDE



Custom orifice sizes available upon request. Minimum order quantity may apply.

VALVE, FITTING OR OTHER COMPONENT FUNCTION, PROPER INSTALLATION, MATERIALS COMPATIBILITY, ADEQUATE RATINGS, OPERATION AND MAINTENANCE ARE THE RESPONSIBILITY OF THE SYSTEM DESIGNER AND USER.



PRODUCT FAILURE, IMPROPER SELECTION OR IMPROPER USE OF THE PRODUCTS AND/OR SYSTEMS DESCRIBED HEREIN OR RELATED ITEMS CAN CAUSE DEATH, PERSONAL INJURY AND PROPERTY DAMAGE.



MADE IN USA

19 Industrial Road, Fairfield, NJ 07004 Phone: 973-276-9011 Fax: 973-276-9014 www.gasflo.com

