

GasFlo Products LPLL Series Valves are manufactured with an extended inlet leg and are air operated to allow for remote automated cycling. This low pressure springless diaphragm design remains closed unless proper actuation pressure is continuously applied. LPLL Series Valves provide superior leak integrity for critical gas/fluid systems with pressure ranges from vacuum to 150 psig.

FEATURES

- BAR STOCK CONSTRUCTION
- EXTENDED LONG LEG INLET
- AIR OPERATED ACTUATION
- NORMALLY CLOSED
- COMPACT SIZE
- SPRINGLESS DESIGN
- METAL DIAPHRAGM SEALED
- POSITIVE SHUT-OFF
- LOW INTERNAL VOLUME
- HIGH CYCLE LIFE
- LEAK TEST PORT
- ULTRASONICALLY DI CLEANED
- 100% HELIUM LEAK TESTED
- AVAILABLE WITH BOTTOM MOUNT OPTION
- AVAILABLE WITH ELECTROPOLISHED ID SURFACE ON REQUEST
- AVAILABLE IN REVERSE FLOW DESIGNS

MATERIALS OF CONSTRUCTION

- **BODY OPTIONS:**
BRASS, NICKEL PLATED BRASS, 316L STAINLESS STEEL, MONEL[®] R405, OR ALUMINUM SILICON BRONZE
- **SEAT:**
PCTFE
- **WETTED DIAPHRAGM:**
316L STAINLESS STEEL
- **ACTUATOR HOUSING:**
NICKEL PLATED BRASS
- **STEM:**
316 STAINLESS STEEL

MONEL[®] - TM - SPECIAL METALS CORPORATION

APPLICATIONS

- PURGING SYSTEMS
- GAS/FLUID CONTROL PANELS
- MANIFOLD SYSTEMS
- SAMPLING SYSTEMS
- GAS ANALYZERS
- GENERAL SHUT-OFF

END CONNECTION OPTIONS

- 1/4" MALE AND 1/4" FEMALE PIPE THREAD
- 1/4" COMPRESSION
- 1/4" AND 3/8" TUBE SOCKET WELD
- 1/4" FACE SEAL
- 1/4" AND 3/8" ORBITAL TUBE WELD
- CUSTOM CONNECTIONS



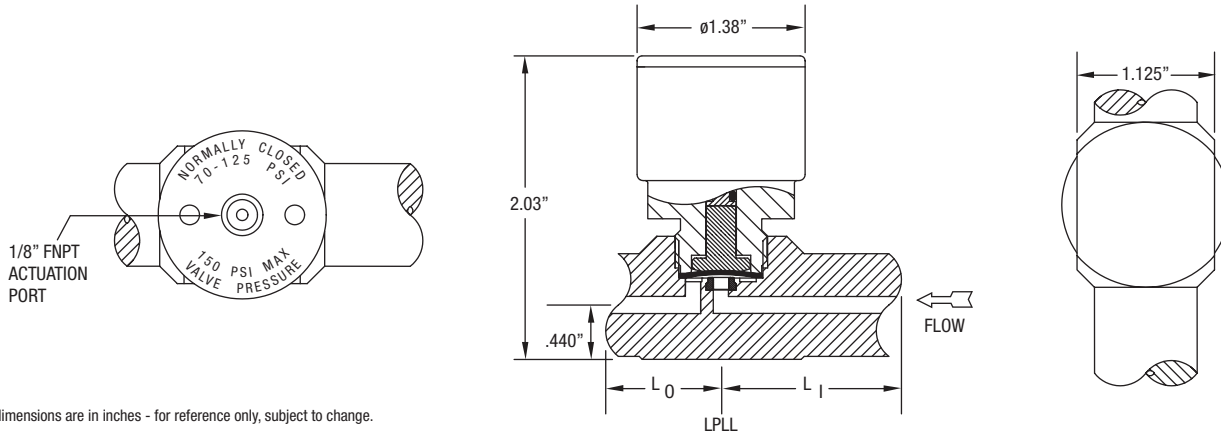
MADE IN USA

VLV-LPLL-2014

19 Industrial Road, Fairfield, NJ 07004 Phone: 973-276-9011 Fax: 973-276-9014 www.gasflo.com

Member Compressed Gas Association

DIMENSIONAL INFORMATION



All dimensions are in inches - for reference only, subject to change.

SPECIFICATIONS

PRESSURE RATING: 150 PSIG	STANDARD SEAT MATERIAL: PCTFE	WETTED DIAPHRAGM: STAINLESS STEEL 316L
ACTUATION PRESSURE: 70 - 125 PSIG	TEMPERATURE LIMITS: -65° F TO 150° F	OPTIONAL BOTTOM MOUNT: 2 x #10-32 TAPPED HOLES ON A 1" BOLT CIRCLE
FLOW COEFFICIENT Cv = .13	MAX. ALLOWABLE SEAT LEAKAGE: 2 x 10-8 ATM CC/SEC He	ACTUATION PORT: 1/8" FEMALE NPT
SEAT ORIFICE SIZE: 0.125"	MAX. INBOARD LEAKAGE: 2 x 10-8 ATM CC/SEC He	

ORDERING INFORMATION

TYPICAL PART NUMBER

PRODUCT FAMILY VALVES	SERIES LPLL	INLET PORT SIZE 4 = 1/4" R4 = REVERSE FLOW 1/4"	OUTLET PORT SIZE 4 = 1/4" 6 = 3/8"	MATERIAL ASB = ALUMINUM SILICON BRONZE BR = BRASS CH = NICKEL PLATED BRASS MO = MONEL® SS = STAINLESS STEEL 316L	OPTIONAL FEATURES BM = BOTTOM MOUNT CP = CONSTANT PURGE	OUTLET CONNECTION C = COMPRESSION (L ₀ = .91") F = FEMALE NPT (L ₀ = 1.01") FFS = FEMALE FACE SEAL (L ₀ = 1.48") M = MALE NPT (L ₀ = 1.36") MFS = MALE FACE SEAL (L ₀ = 1.15") SW = TUBE SOCKET WELD (L ₀ = 1.18") TS = ORBITAL TUBE WELD (L ₀ = .88")	INLET CONNECTION C = COMPRESSION (L ₁ = 1.70") F = FEMALE (L ₁ = 1.80") FFS = FEMALE FACE SEAL (L ₁ = 2.27") M = MALE NPT (L ₁ = 2.15") MFS = MALE FACE SEAL (L ₁ = 1.94") SW = TUBE SOCKET WELD (L ₁ = 1.97") TS = ORBITAL TUBE WELD (L ₁ = 1.67")
---------------------------------	-----------------------	--	---	--	--	---	--

MONEL® - TM - SPECIAL METALS CORPORATION

REPAIR KIT PN: RK-SL-DIA

CUSTOM CONFIGURATIONS ARE AVAILABLE ON REQUEST. ALSO AVAILABLE MANUALLY OPERATED, SEE LL AND QLL SERIES.

Minimum order quantities may be required. Some inlet/outlet combinations may not be available.

VALVE, FITTING OR OTHER COMPONENT FUNCTION, PROPER INSTALLATION, MATERIALS COMPATIBILITY, ADEQUATE RATINGS, OPERATION AND MAINTENANCE ARE THE RESPONSIBILITY OF THE SYSTEM DESIGNER AND USER.



PRODUCT FAILURE, IMPROPER SELECTION OR IMPROPER USE OF THE PRODUCTS AND/OR SYSTEMS DESCRIBED HEREIN OR RELATED ITEMS CAN CAUSE DEATH, PERSONAL INJURY AND PROPERTY DAMAGE.



MADE IN USA

19 Industrial Road, Fairfield, NJ 07004 Phone: 973-276-9011 Fax: 973-276-9014 www.gasflo.com

